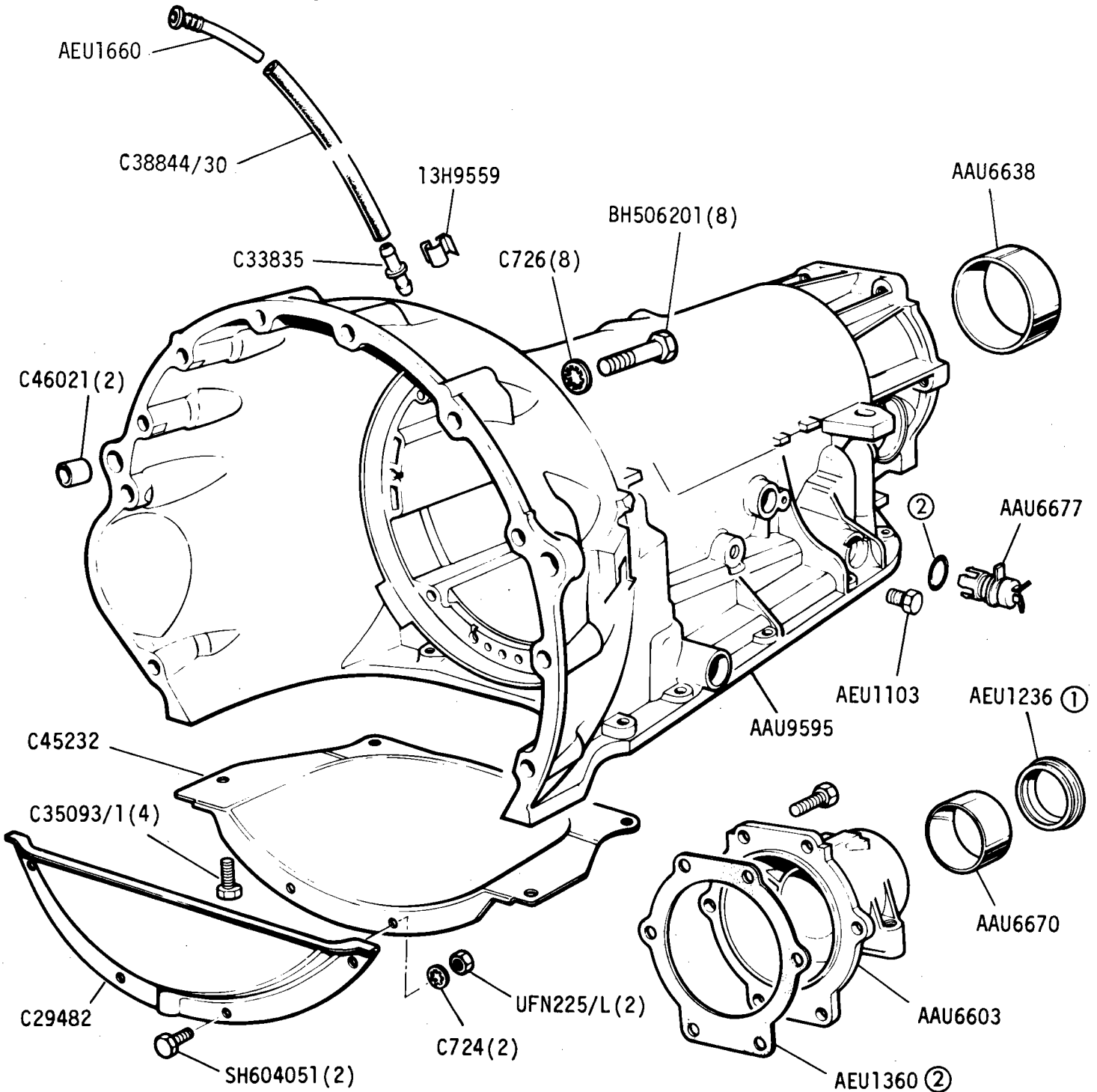


GROUP D  
AUTOMATIC GEARBOX - casing and covers



SM5702

EAC4046/N GEARBOX ASSY (NEW)  
EAC4046/R GEARBOX ASSY (RE-CON)

EAC7702 Gearbox Assy Fitted  
From Engine No 7P54000 Up to 7P56894

① Part of AAU6641 Repair Kit

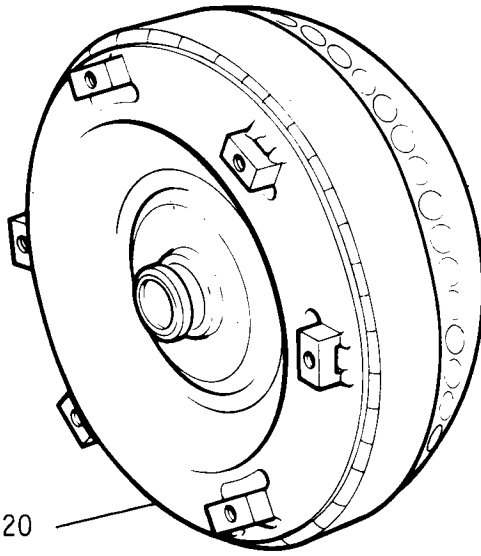
EAC8439N DEEP SUMP PAN AUTO TRANS ASSY  
FITTED FROM ENGINE No 7P56895

② Part of AAU6639 Gasket Kit

Jaguar Sovereign 5.3 Series 3  
Daimler Double Six and Jaguar Vanden Plas Series 3

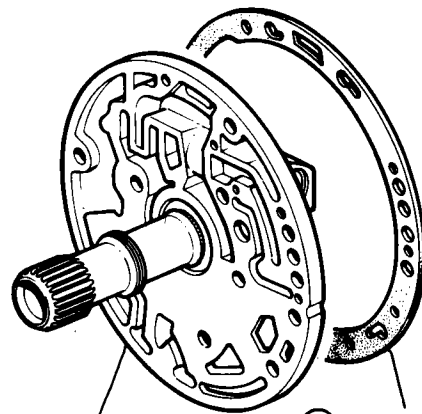
1E 02L

GROUP D  
 AUTOMATIC GEARBOX - Torque Converter/Oil Pump/Turbine Shaft



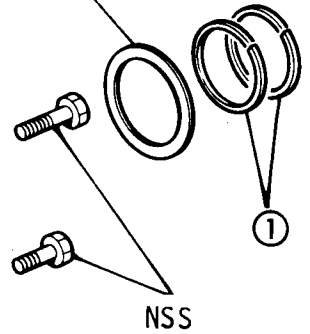
EAC7320

AAU6637	(.060/.064)	S/S
AAU6636	(.071/.075)	
AAU6635	(.082/.086)	
AAU6634	(.093/.097)	
AAU6633	(.104/.108)	
AAU6632	(.115/.119)	
AAU6631	(.126/.130)	



AAU6698

② AAU9525



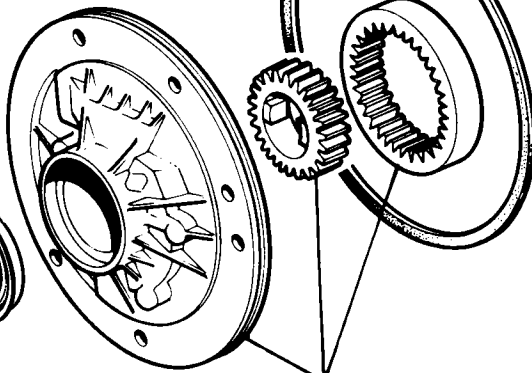
NSS

AAU9528  
 (Turbine Shaft)

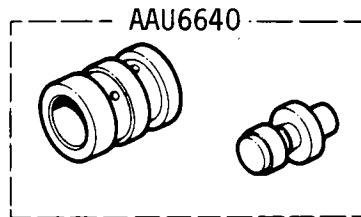
JLM267



① AEU1065



AAU6699



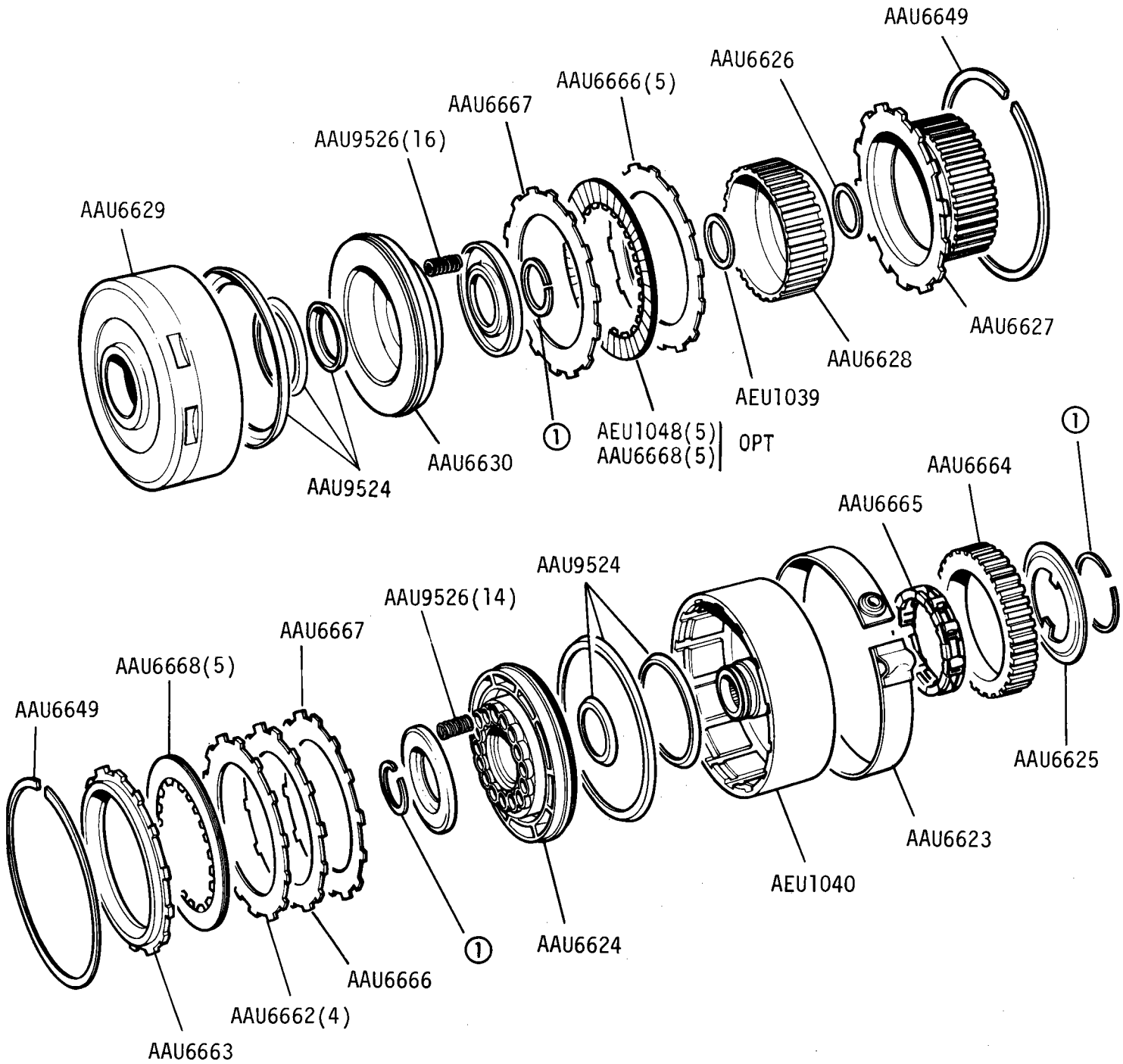
AAU6640

① Part of AAU6641 Kit

② Part of AAU6639 Kit

SM5673

GROUP D  
 AUTOMATIC GEARBOX - forward and direct clutch



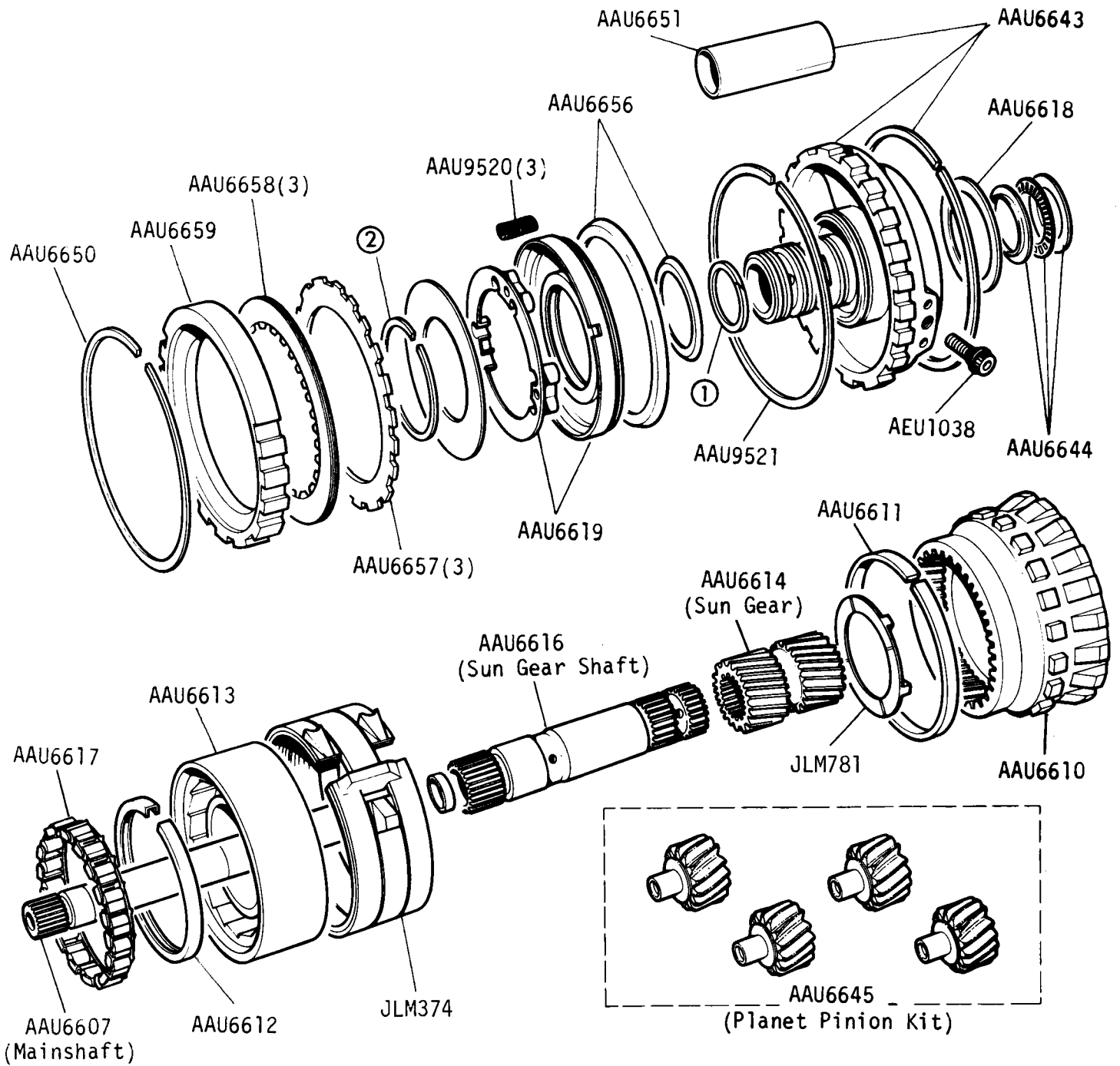
① Part of kit AAU6642

SM5674

Jaguar Sovereign 5.3 Series 3  
 Daimler Double Six and Jaguar Vanden Plas Series 3

1E 03L

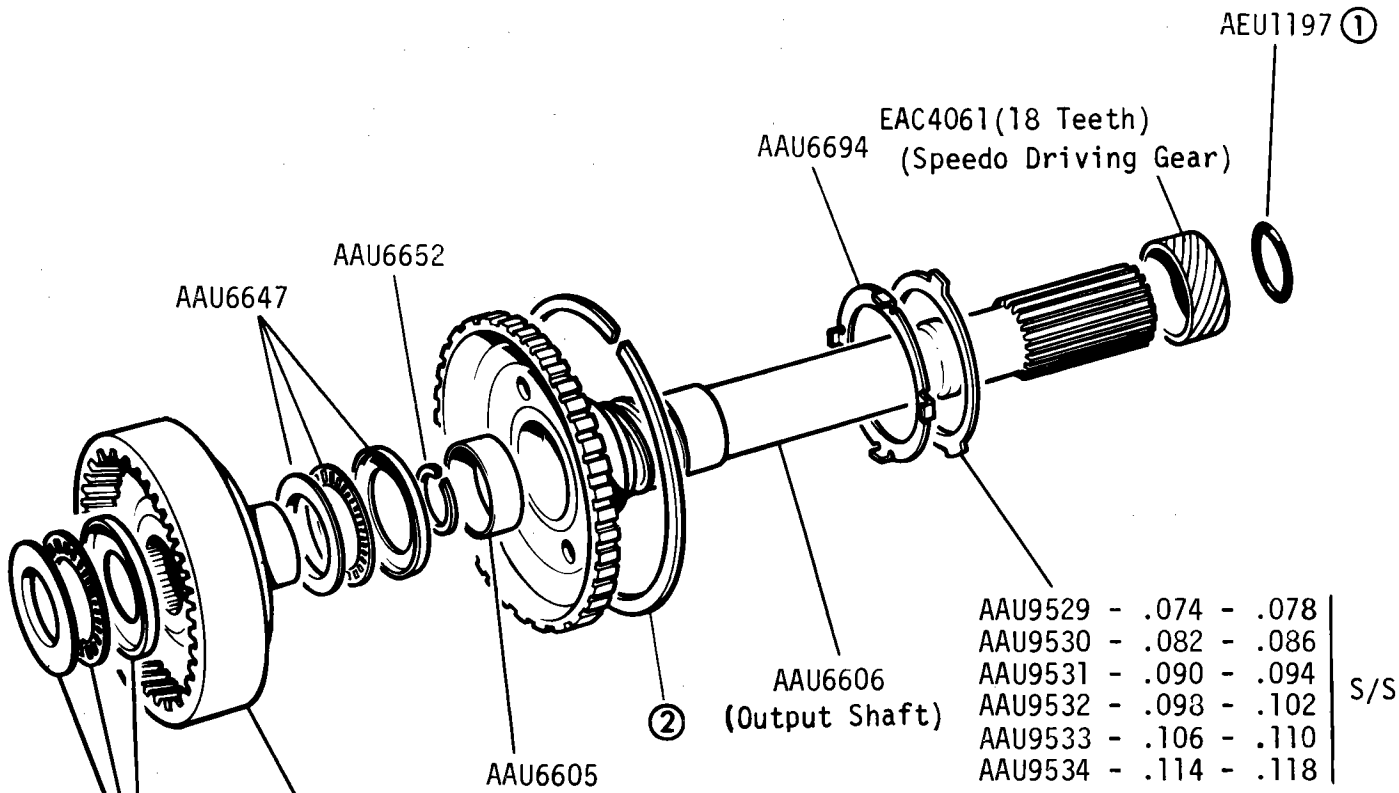
GROUP D  
 AUTOMATIC GEARBOX - Rear Band, Sun Gear , Mainshaft



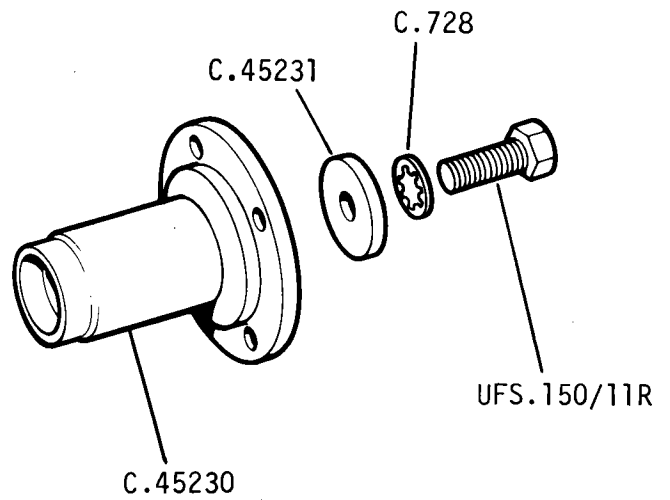
- ① Part of AAU6641 Repair Kit
- ② Part of AAU6642 Service Kit

SM5675

GROUP D  
 AUTOMATIC GEARBOX - Output Shaft and Speedo Driving Gear



AAU9529	-	.074	-	.078	S/S
AAU9530	-	.082	-	.086	
AAU9531	-	.090	-	.094	
AAU9532	-	.098	-	.102	
AAU9533	-	.106	-	.110	
AAU9534	-	.114	-	.118	



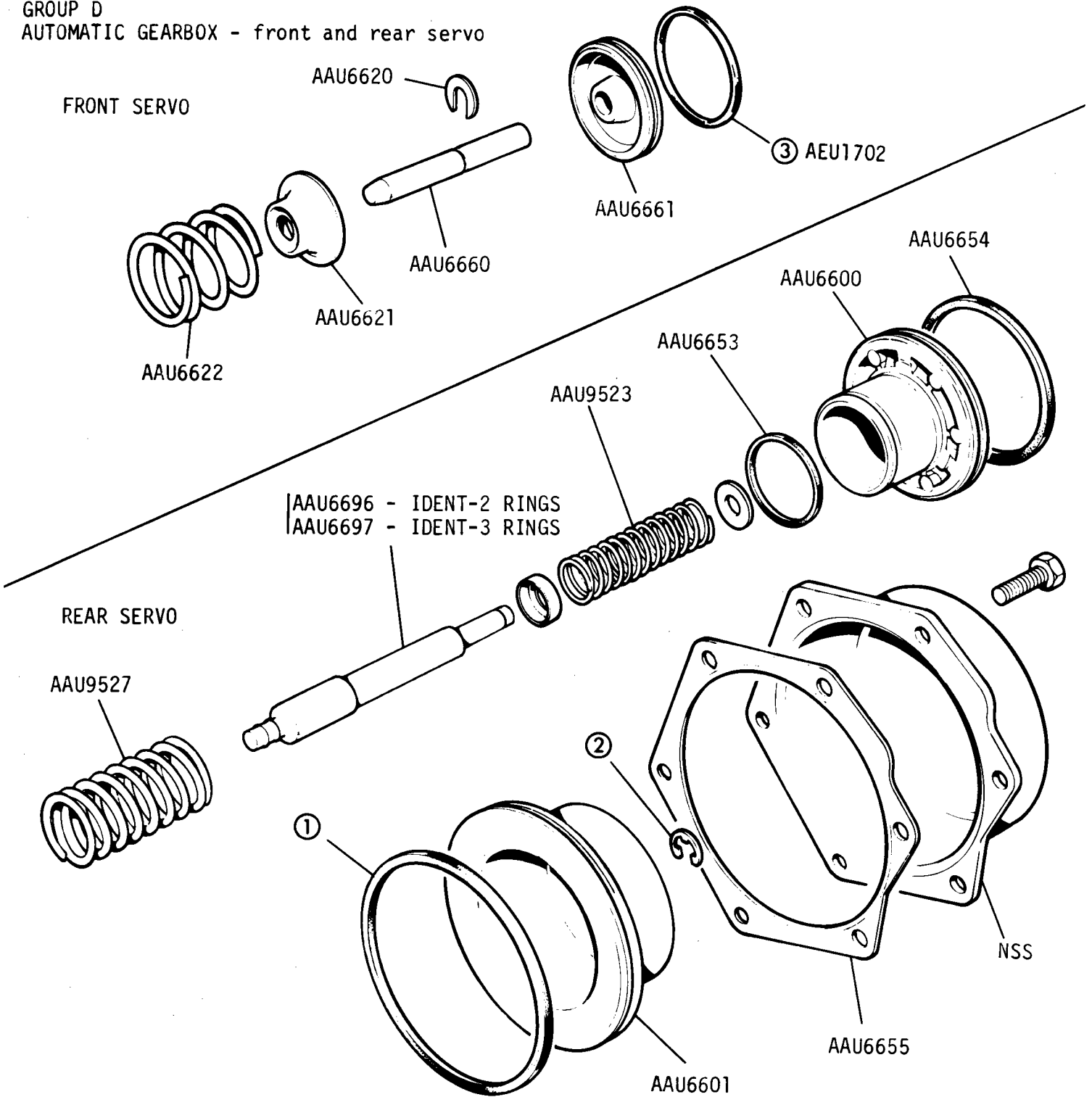
- ① Part of Kit AAU6639
- ② Part of Assy AAU6610

SM5682

Jaguar Sovereign 5.3 Series 3  
 Daimler Double Six and Jaguar Vanden Plas Series 3

1E 04L

GROUP D  
AUTOMATIC GEARBOX - front and rear servo



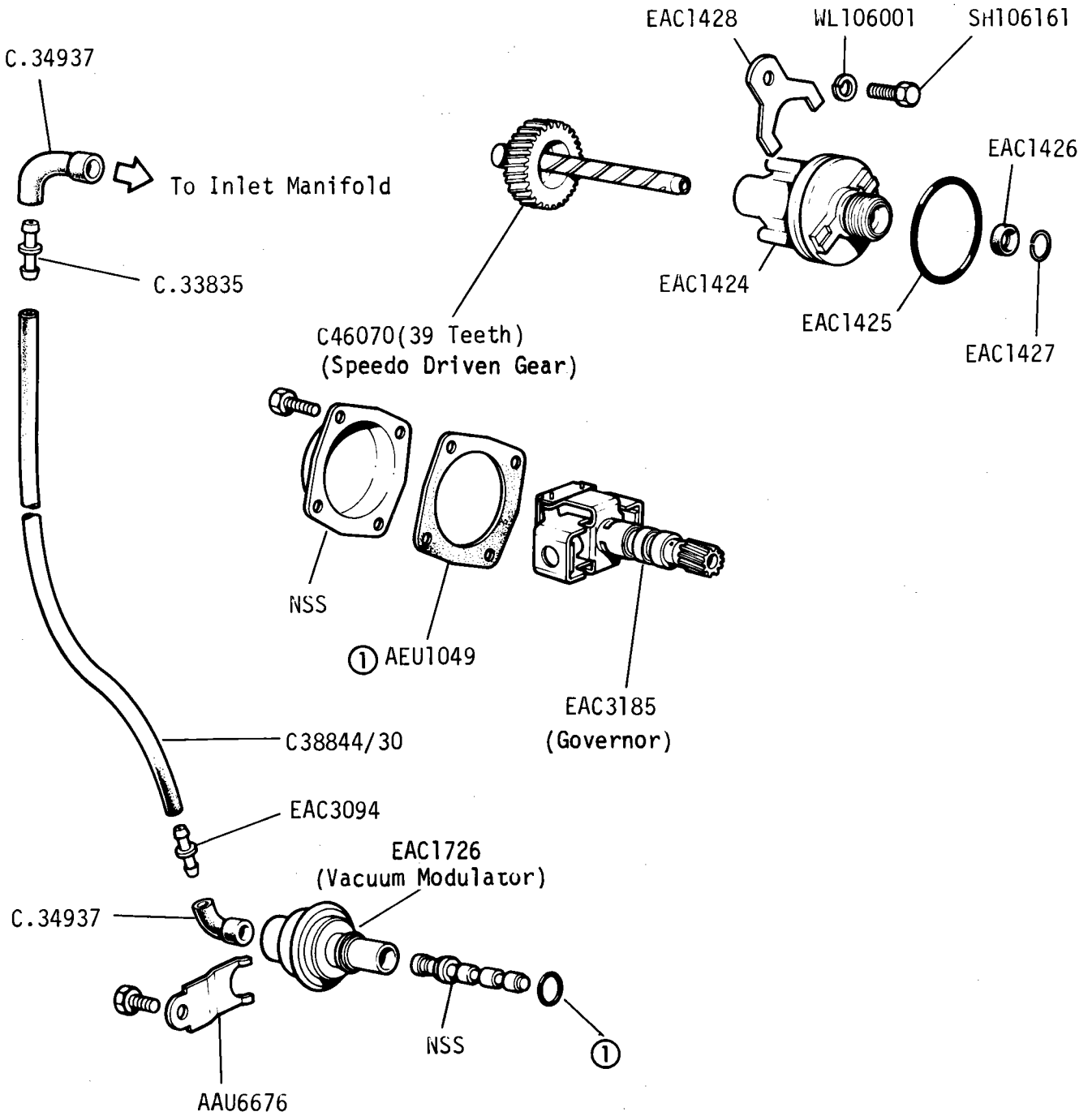
- ① Part of Kit AAU6639
- ② Part of Kit AAU6642
- ③ Part of Kit AAU6641

SM5679

Jaguar Sovereign 5.3 Series 3  
Daimler Double Six and Jaguar Vanden Plas Series 3

1E 04R

GROUP D  
 AUTOMATIC GEARBOX - speedo housing, governor and modulator



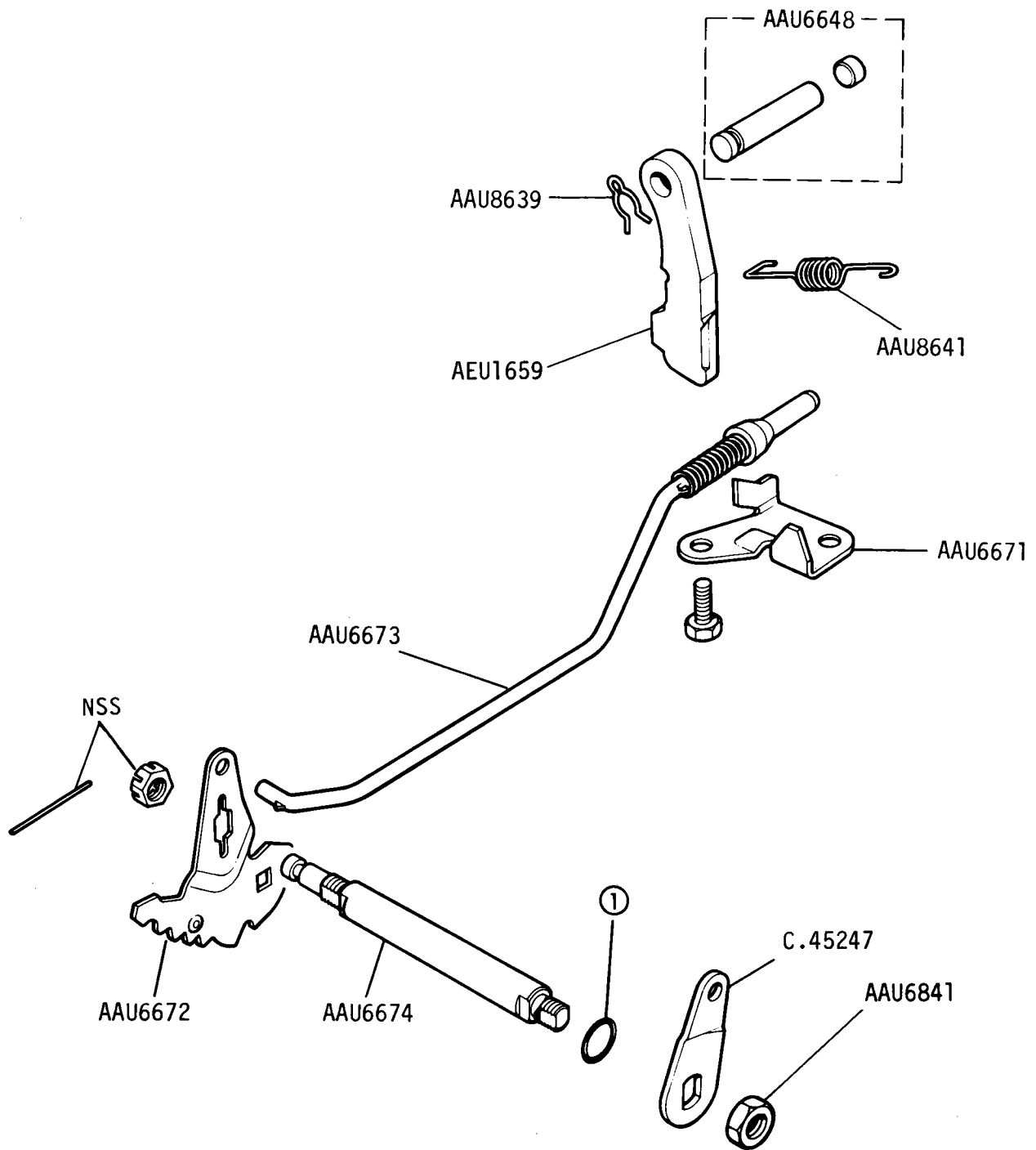
- ① Part of AAU6639 Gasket Kit
- ② Rear Axle Ratio 3.31:1

SM5703

Jaguar Sovereign 5.3 Series 3  
 Daimler Double Six and Jaguar Vanden Plas Series 3

1E 05L

GROUP D  
AUTOMATIC GEARBOX - parking brake assembly



① Part of kit AAU6639

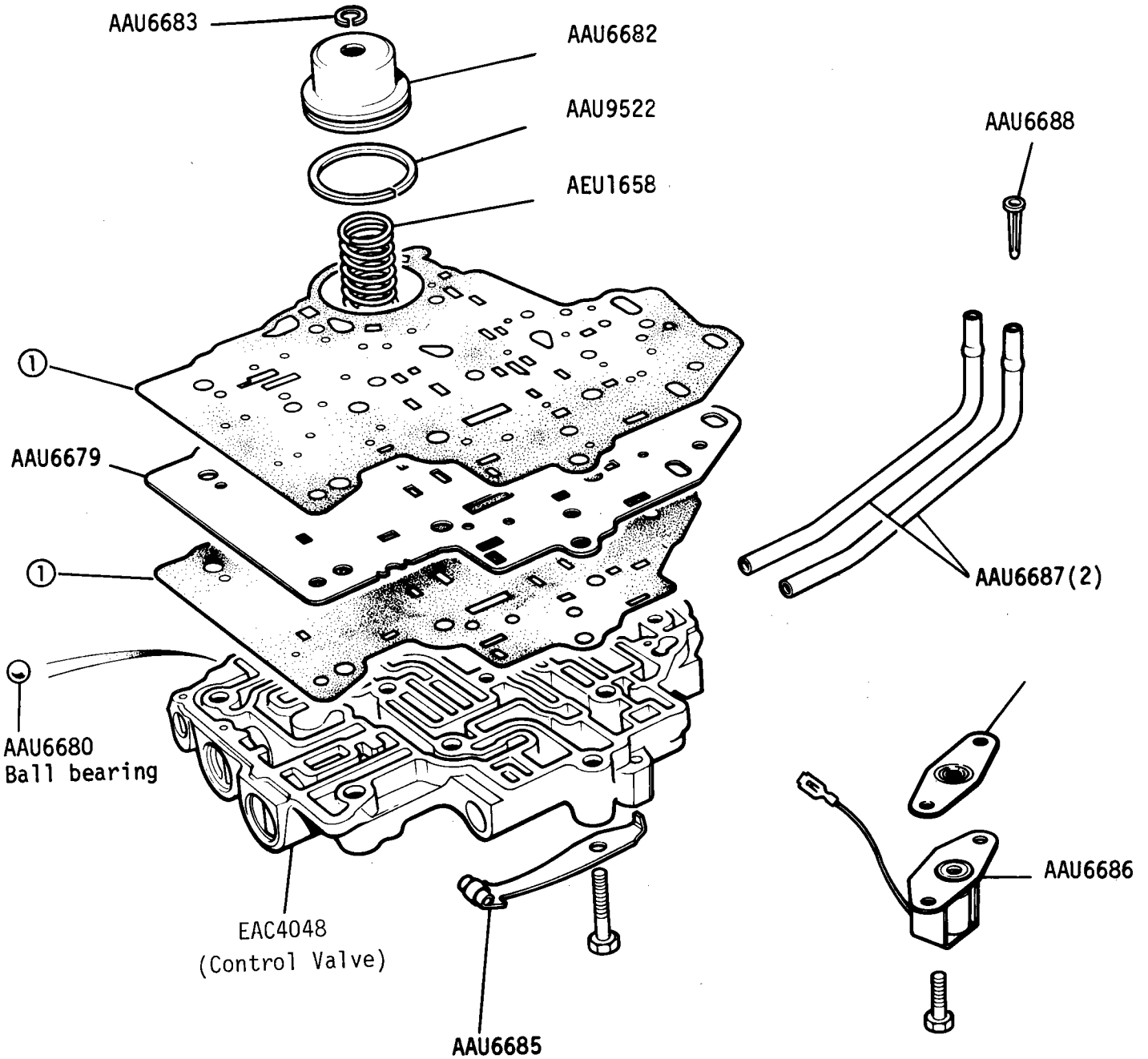
SM5678

Jaguar Sovereign 5.3 Series 3  
Daimler Double Six and Jaguar Vanden Plas Series 3

1E 05R



GROUP D  
 AUTOMATIC GEARBOX - Control Valve, Solenoid, Governor Pipes



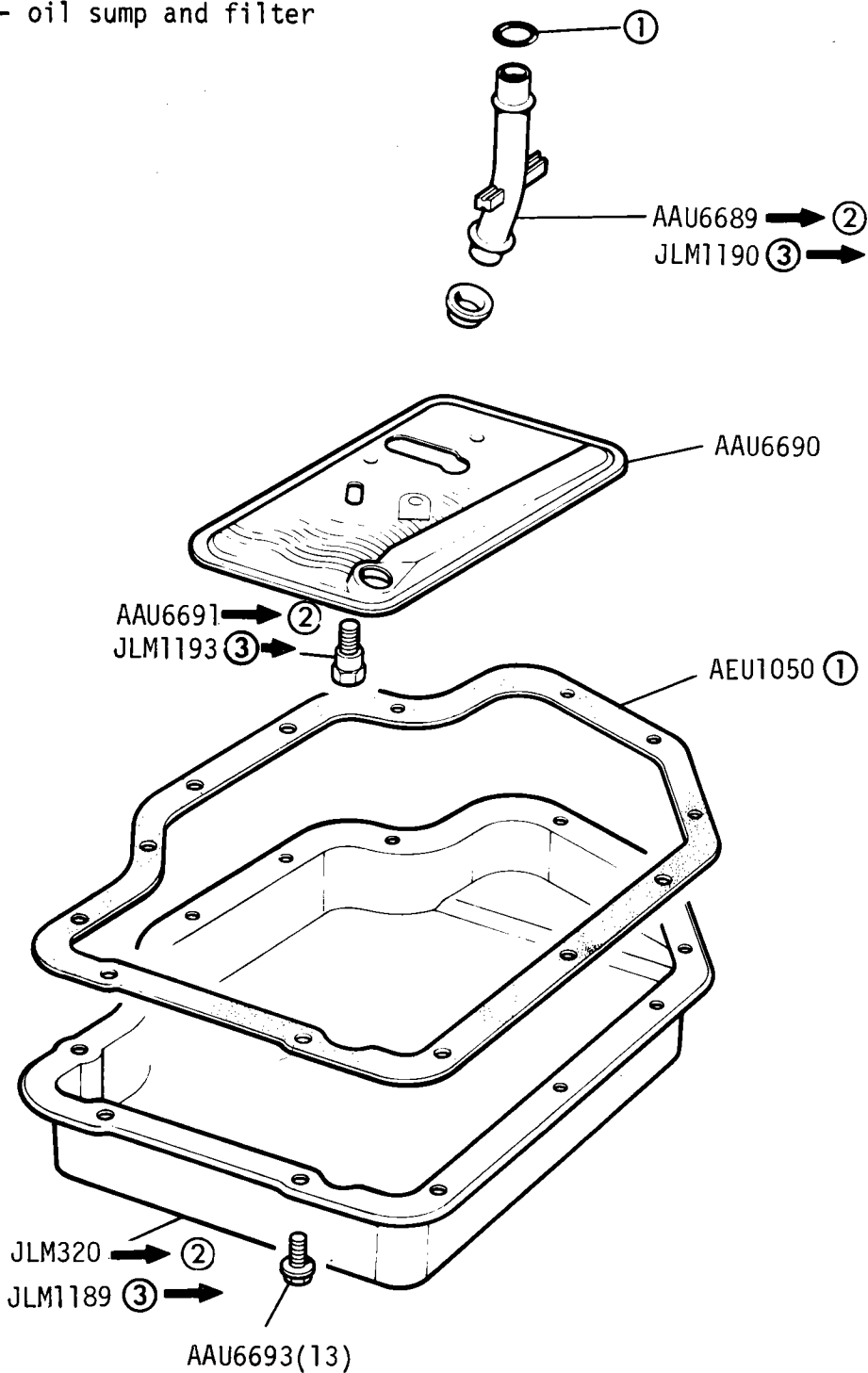
① Part of AAU6639 Gasket Kit

SM5677

Jaguar Sovereign 5.3 Series 3  
 Daimler Double Six and Jaguar Vanden Plas Series 3

1E 06L

GROUP D  
 AUTOMATIC GEARBOX - oil sump and filter



① Part of Kit AAU6639

② 7P56894

③ 7P56895

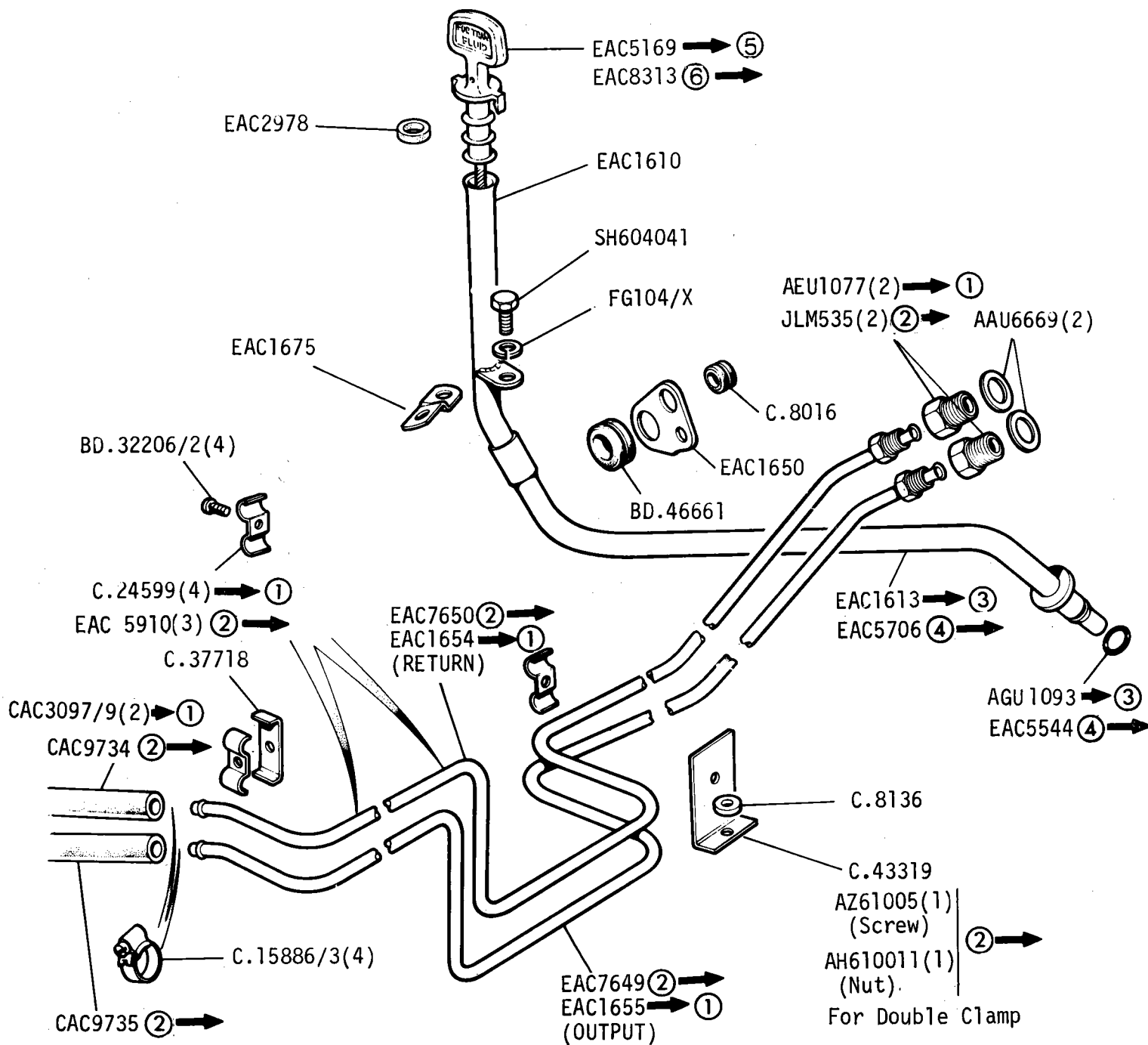
SPACER JLM1194 IS REQUIRED WHEN  
 USING BOLT JLM1193

SM5680

Jaguar Sovereign 5.3 Series 3  
 Daimler Double Six and Jaguar Vanden Plas Series 3

1E 06R

GROUP D  
 AUTOMATIC GEARBOX - dipstick and oil cooler pipes



- ① VIN435664
- ② VIN435665
- ③ Eng No 7P52149
- ④ Eng No 7P52150
- ⑤ 7P56894
- ⑥ 7P56895

SM5681

Jaguar Sovereign 5.3 Series 3  
 Daimler Double Six and Jaguar Vanden Plas Series 3

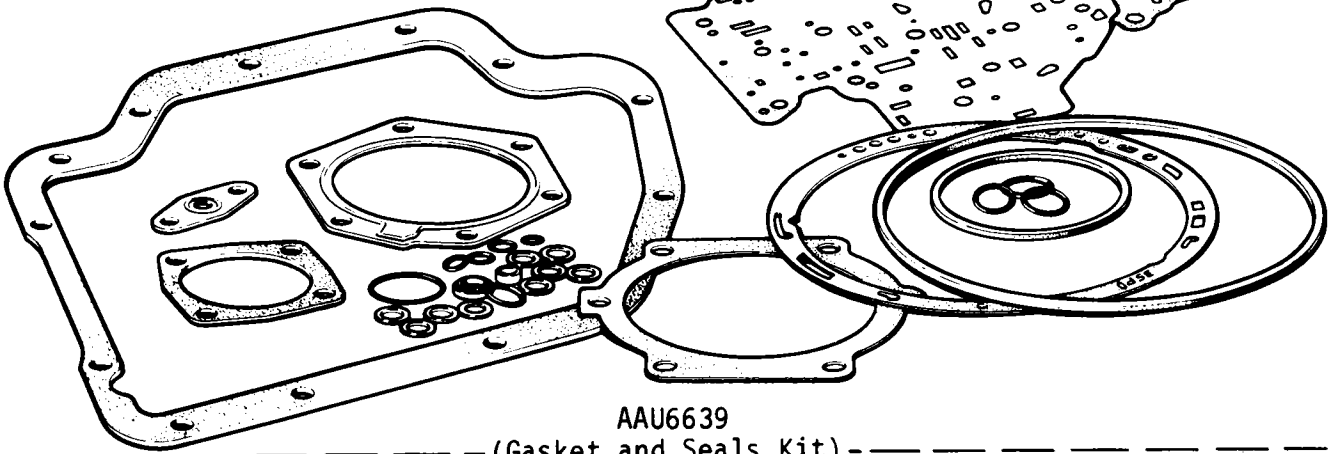
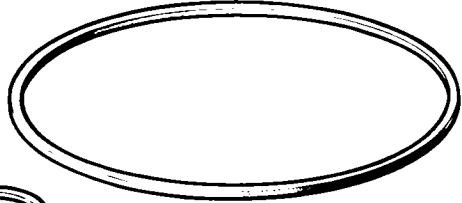
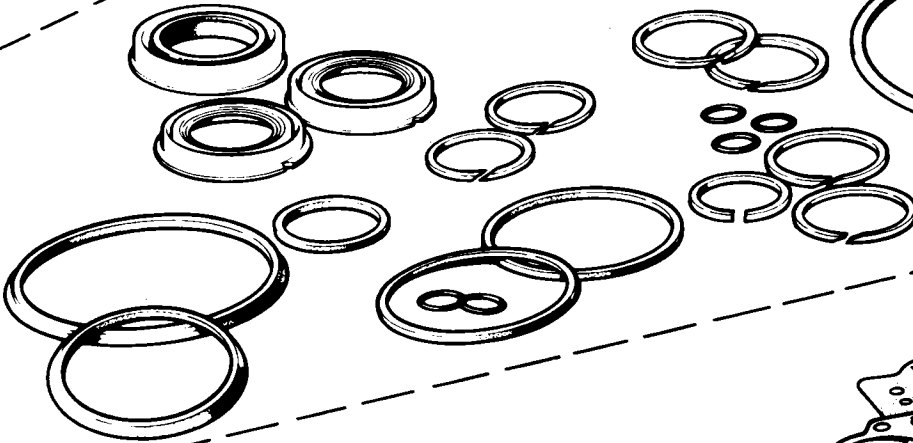
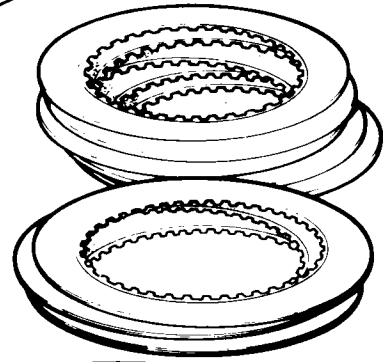
1E 07L

GROUP D  
AUTOMATIC GEARBOX - Service Kits



AAU6642  
(Snap Ring Kit)

AAU6641  
(Overhaul / Repair Kit)



AAU6639  
(Gasket and Seals Kit)

VS2094

Jaguar Sovereign 5.3 Series 3  
Daimler Double Six and Jaguar Vanden Plas Series 3

1E 07R