

PLATE CN

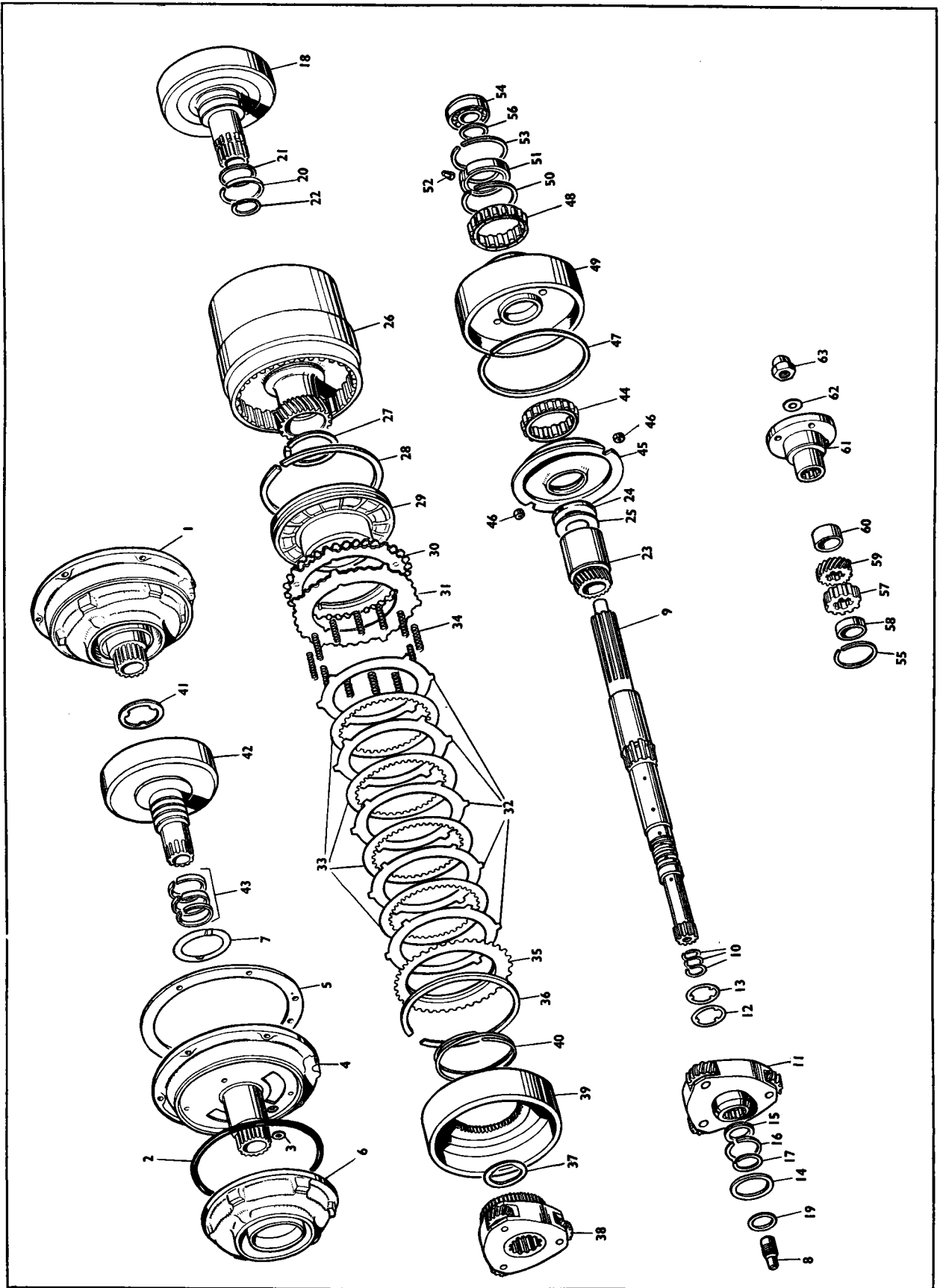


PLATE DN

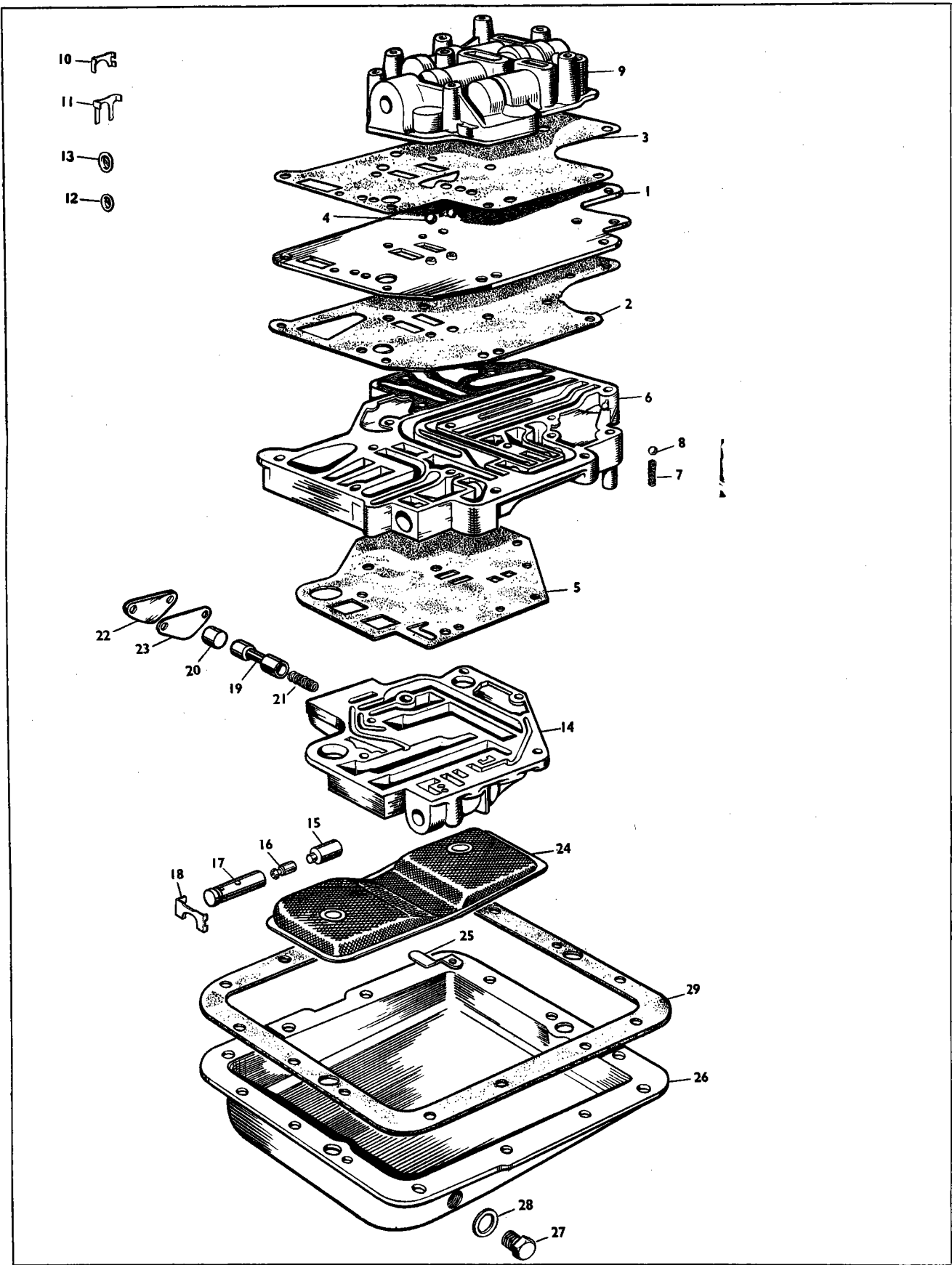


PLATE EN

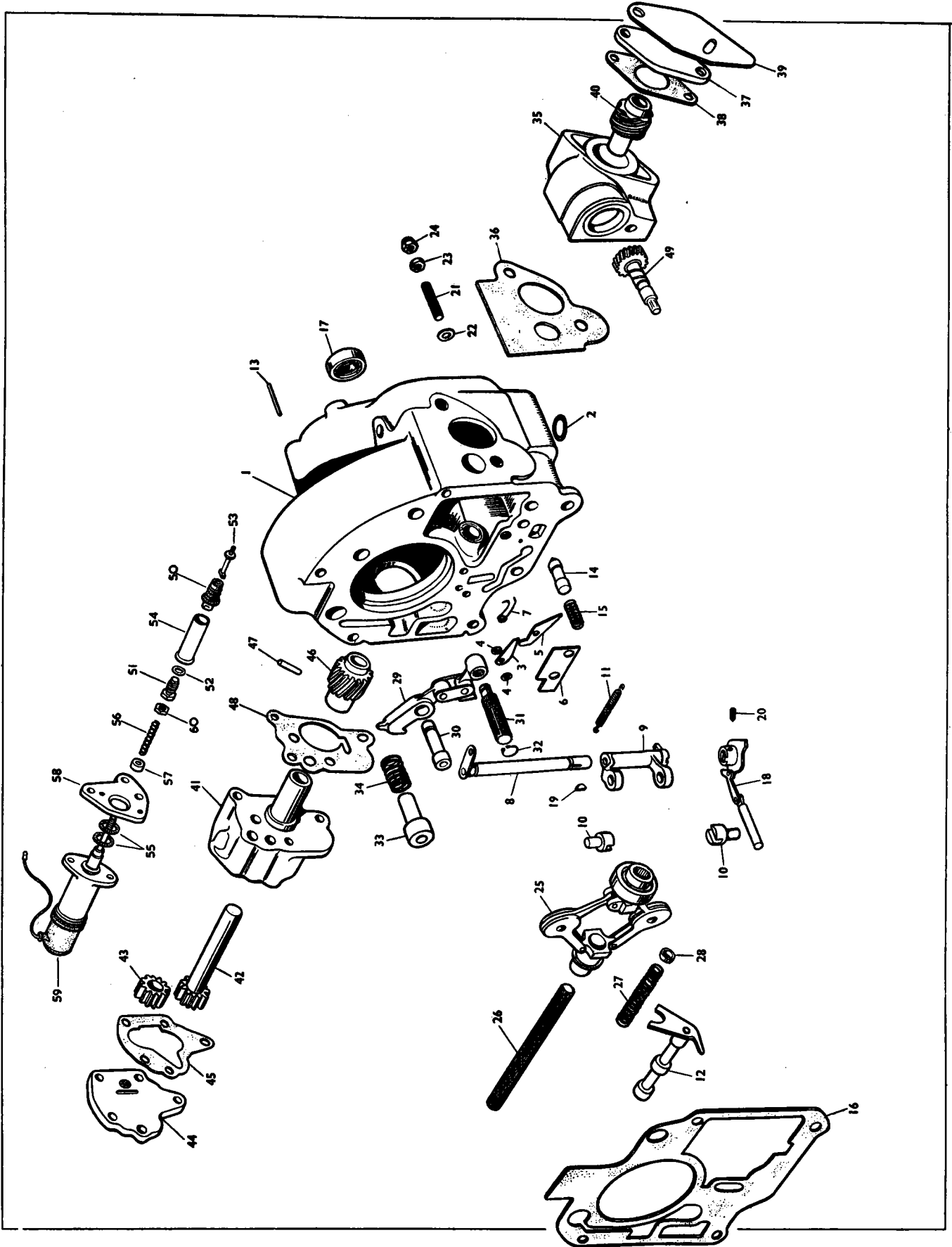


PLATE FN