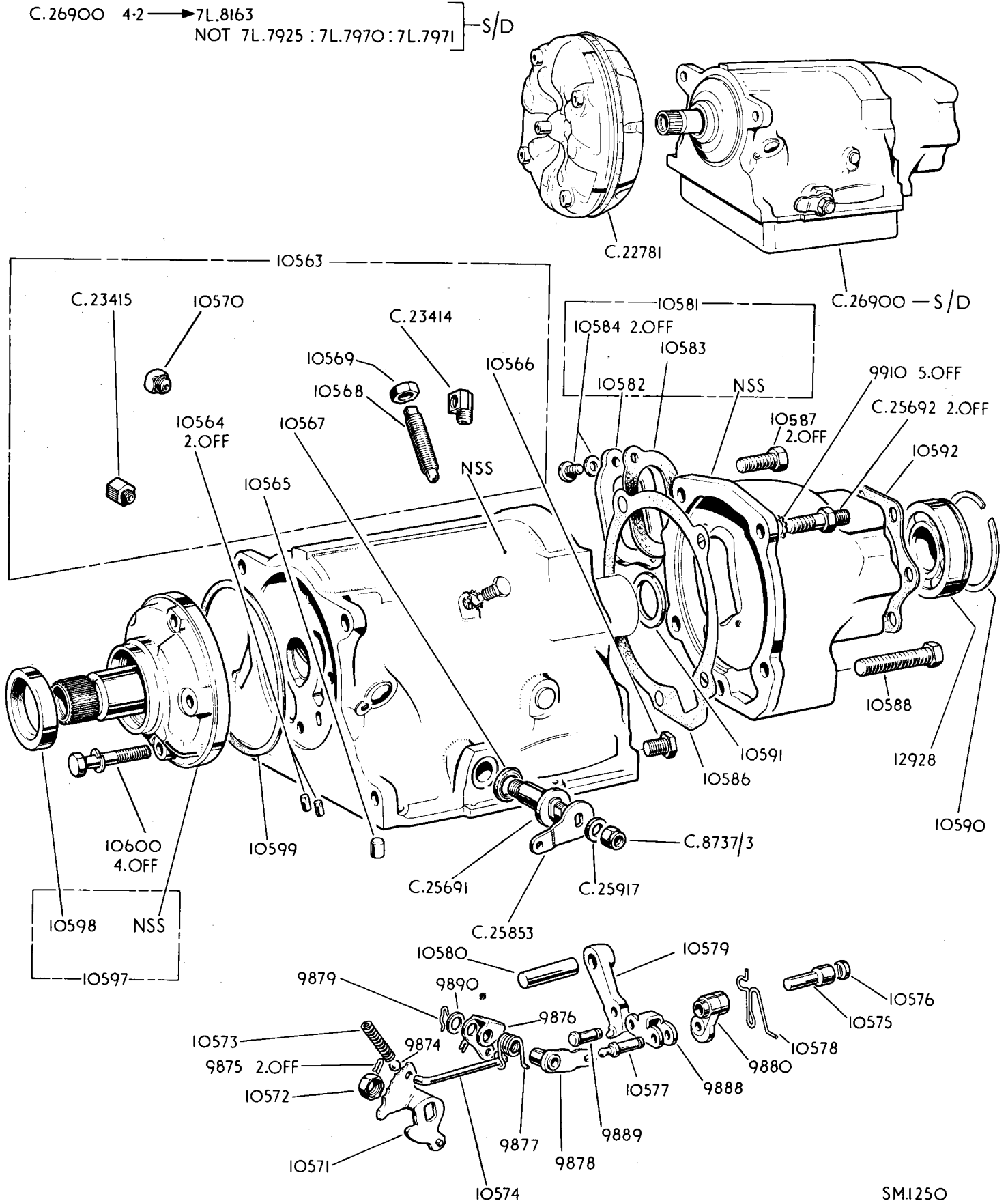
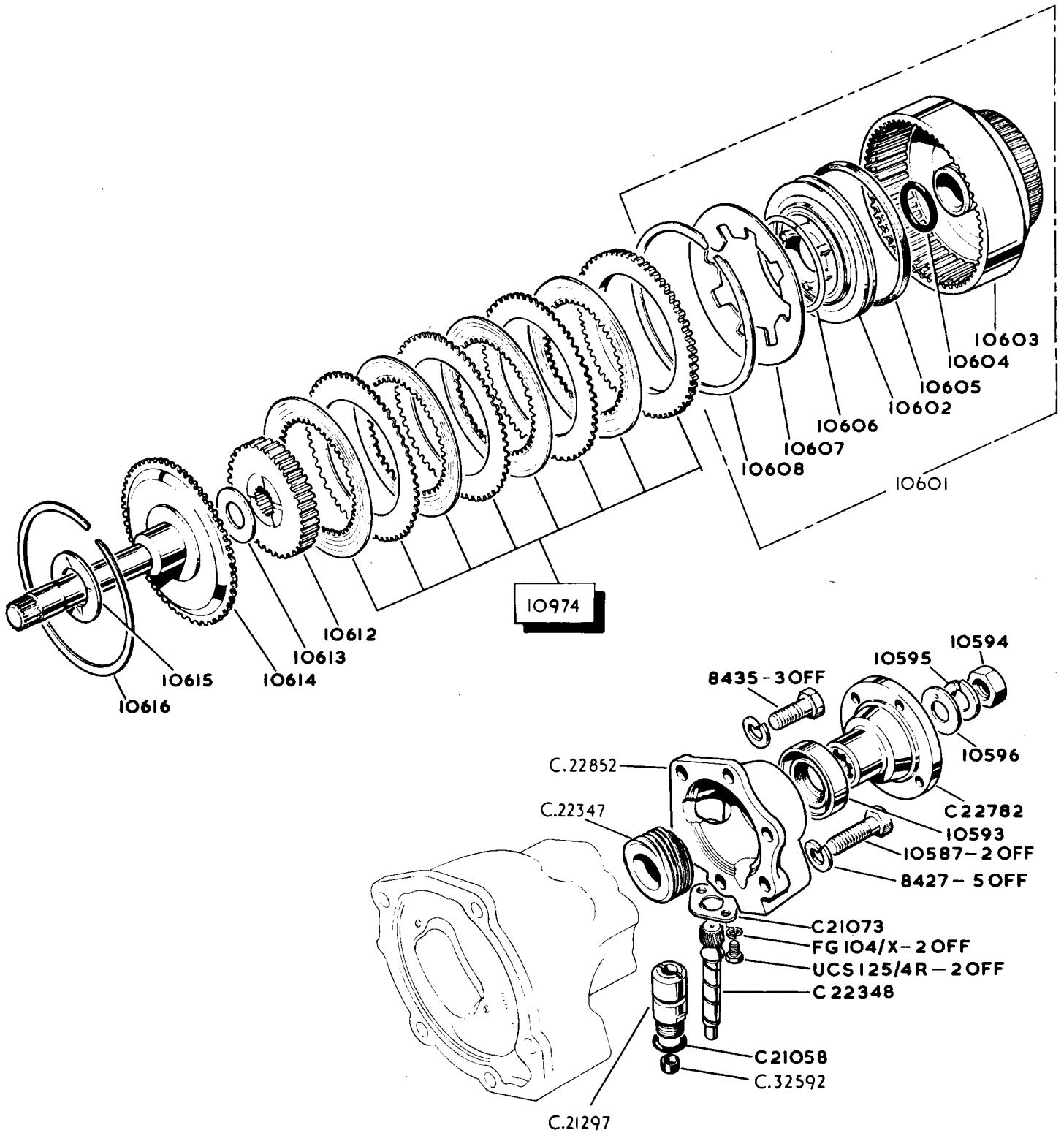
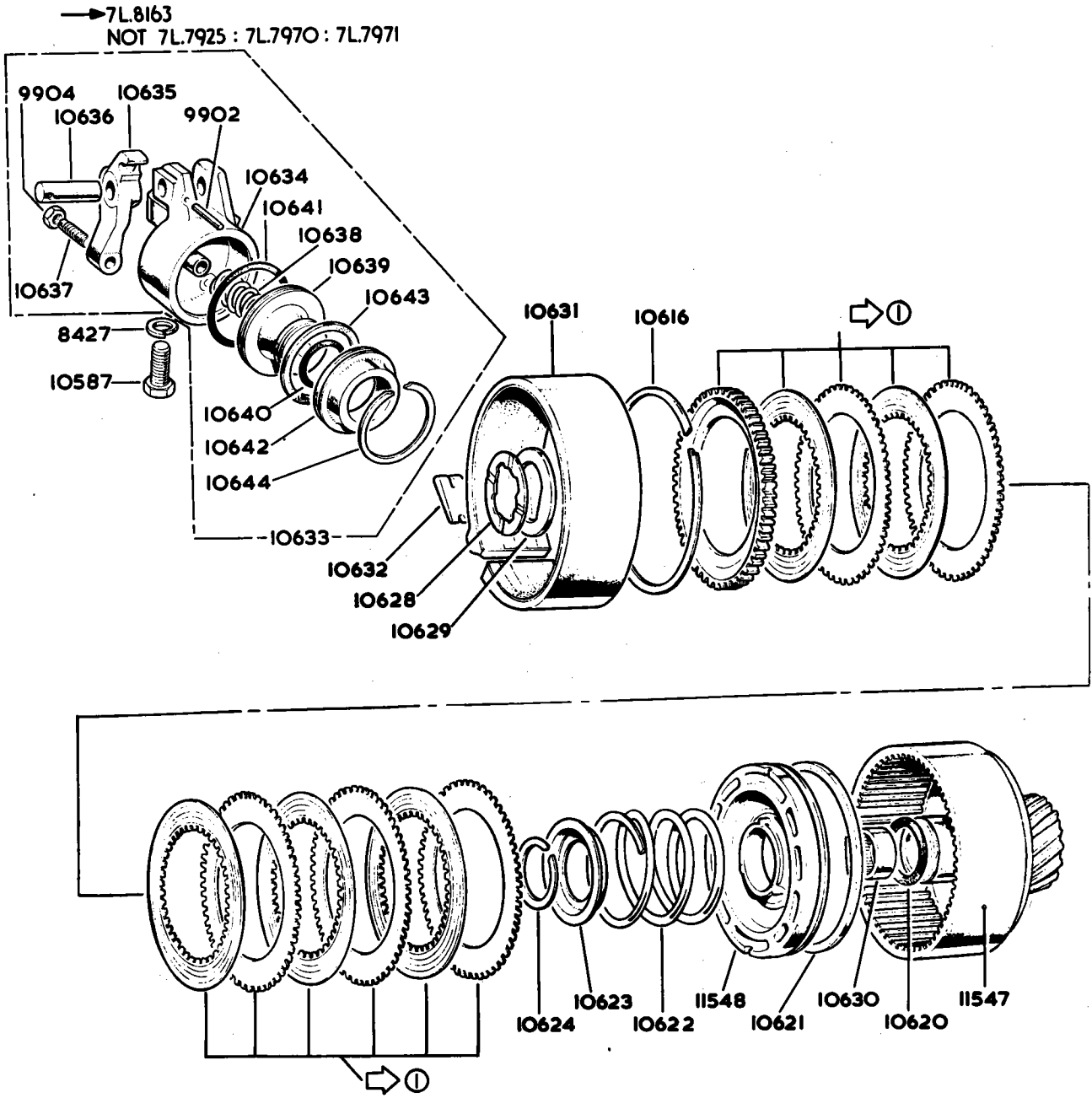


C.26900 4:2 → 7L.8163  
 NOT 7L.7925 : 7L.7970 : 7L.7971 } S/D



C.26900 4-2 → 7L.8163  
 NOT 7L.7925 : 7L.7970 : 7L.7971

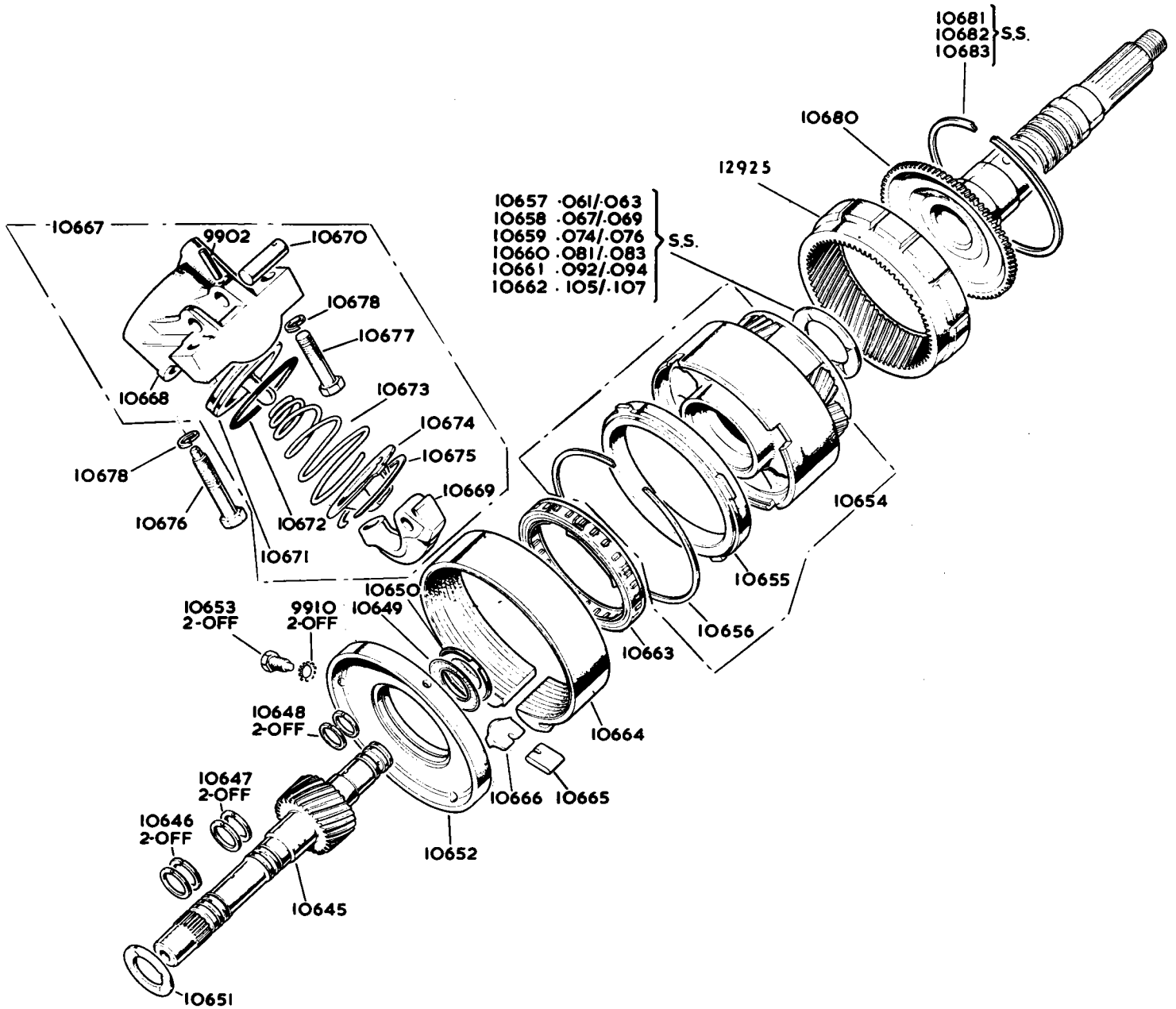




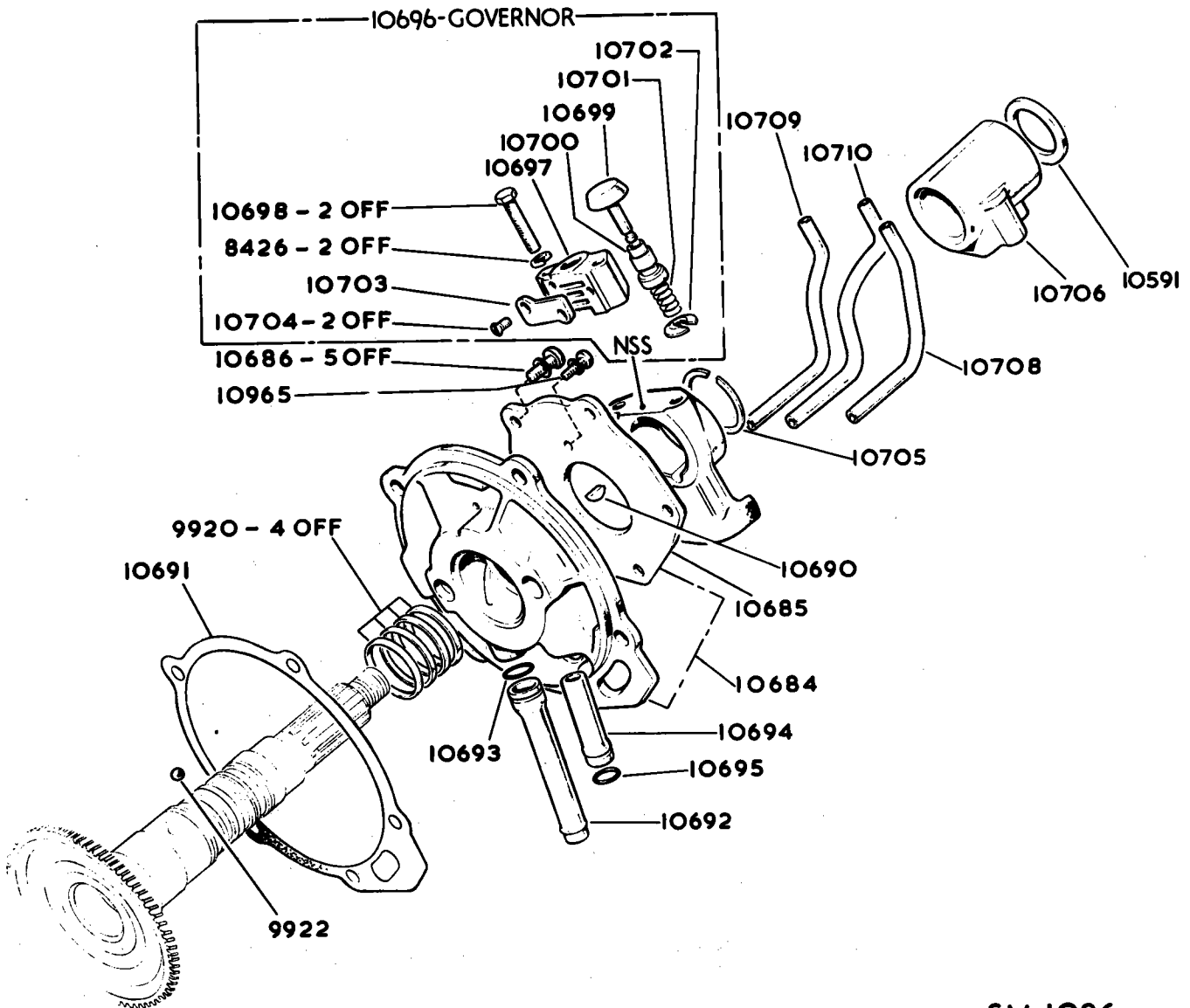
① IO975 CLUTCH PLATE KIT

4.2 → 7L8163

NOT 7L7925:7L7970:7L7971



4.2 → 7L.8163  
NOT 7L.7925 : 7L.7970 : 7L.7971



SM.1026

4.2 → 7L.8163

NOT 7L.7925 : 7L.7970 : 7L.7971

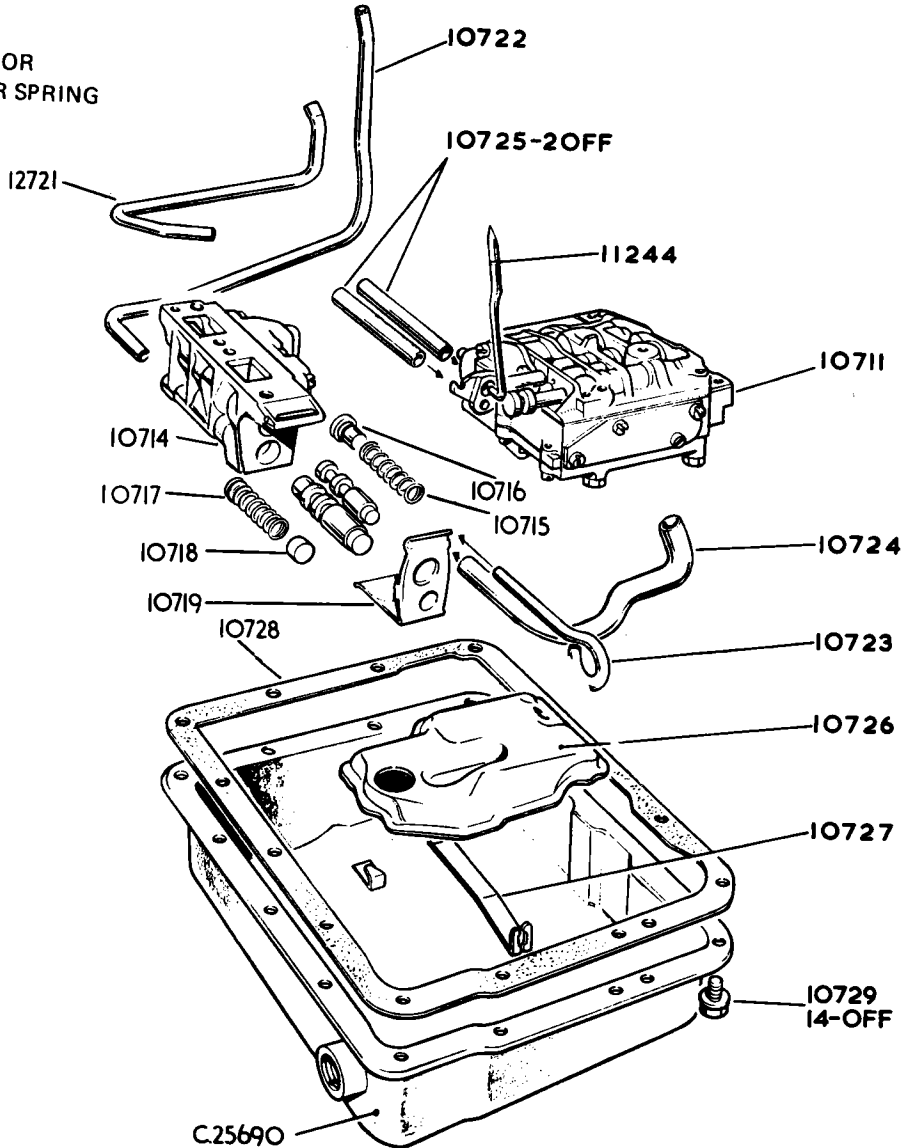
- 10945 Spring, for Rear Pump Check Valve
- 10946 Spring, for Front Servo Release Orifice Valve
- 10947 Spring, for 1st/2nd Shift Valve
- 10948 Return Spring, for Throttle Cam
- 10949 Spring, for D1/D2 Control Valve
- 10950 Spring, for Transition Valve
- 10951 Spring, for Servo Orifice Control Valve
- 10952 Leaf Spring, for Throttle Valve Return
- 10953 Spring, Inner, for 2nd/3rd Valve
- 10955 Spring, Outer, for 2nd/3rd Valve
- 10956 Spring, at inner end of Throttle Modulator Valve
- 10957 Spring, at outer end of Throttle Modulator Valve
- 10958 Spring, Inner, for Compensator
- 10959 Spring, Outer, for Compensator

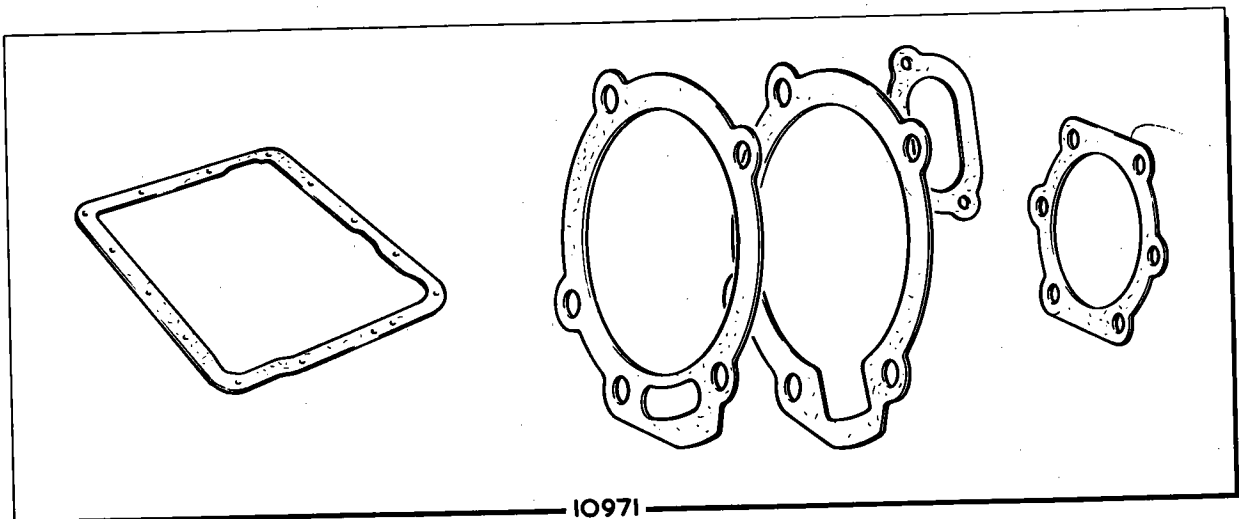
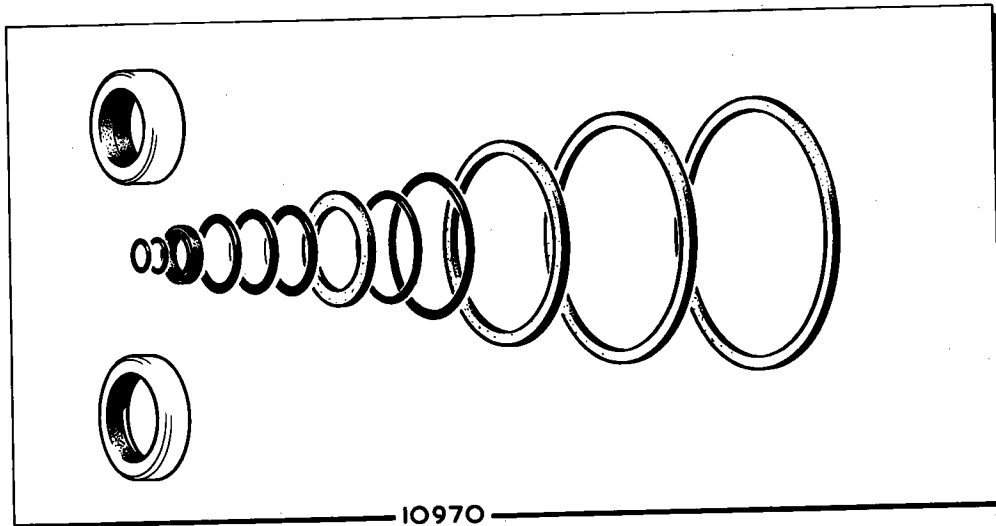
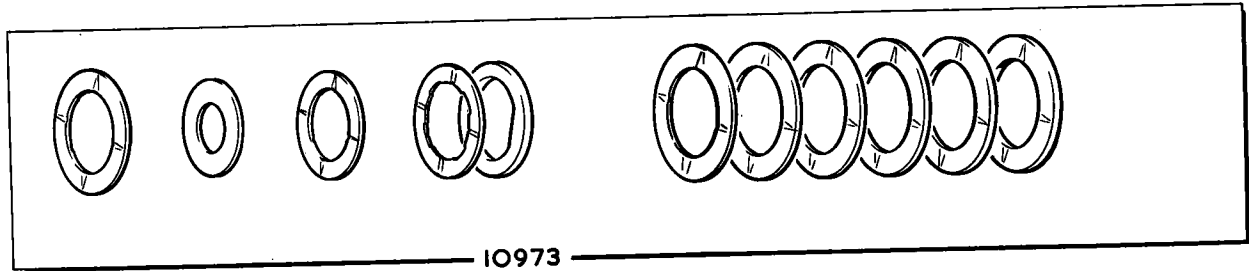
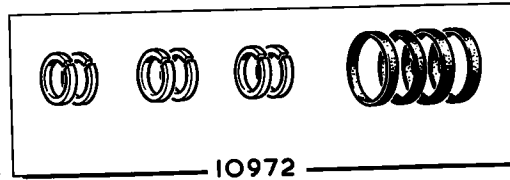
- 10960
- 10961
- 8426
- 10962
- 10963
- 10964
- 10965
- 10704
- 10712

- 8426
- 10720
- 5908

- Throttle Spring
  - Bolt
  - Lockwasher
  - Screw
  - Screw
  - Screw
  - Screw
  - Screw
  - Screw
  - Bolt, securing Valve Bodies Assembly to Transmission Case
  - Lockwasher, on Bolts
  - Screw
  - Lockwasher
- for Assembly of Valve Bodies
- Regulator to Transmission Case

JS 477 RETAINER FOR MODULATOR SPRING





4.2 → 7L.8163 - EXCEPT 7L.7925 - 7L.7970 - 7L.7971