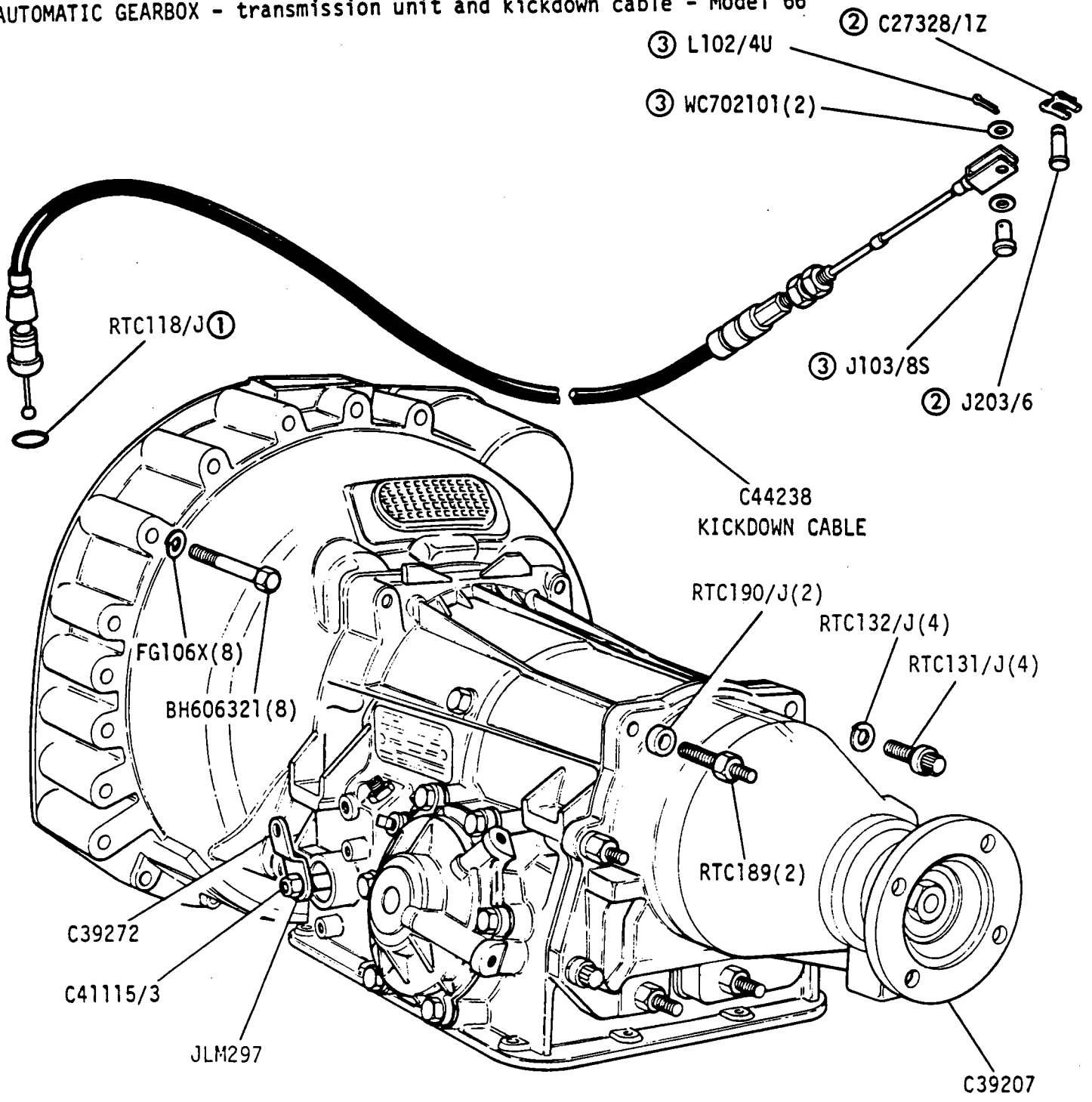


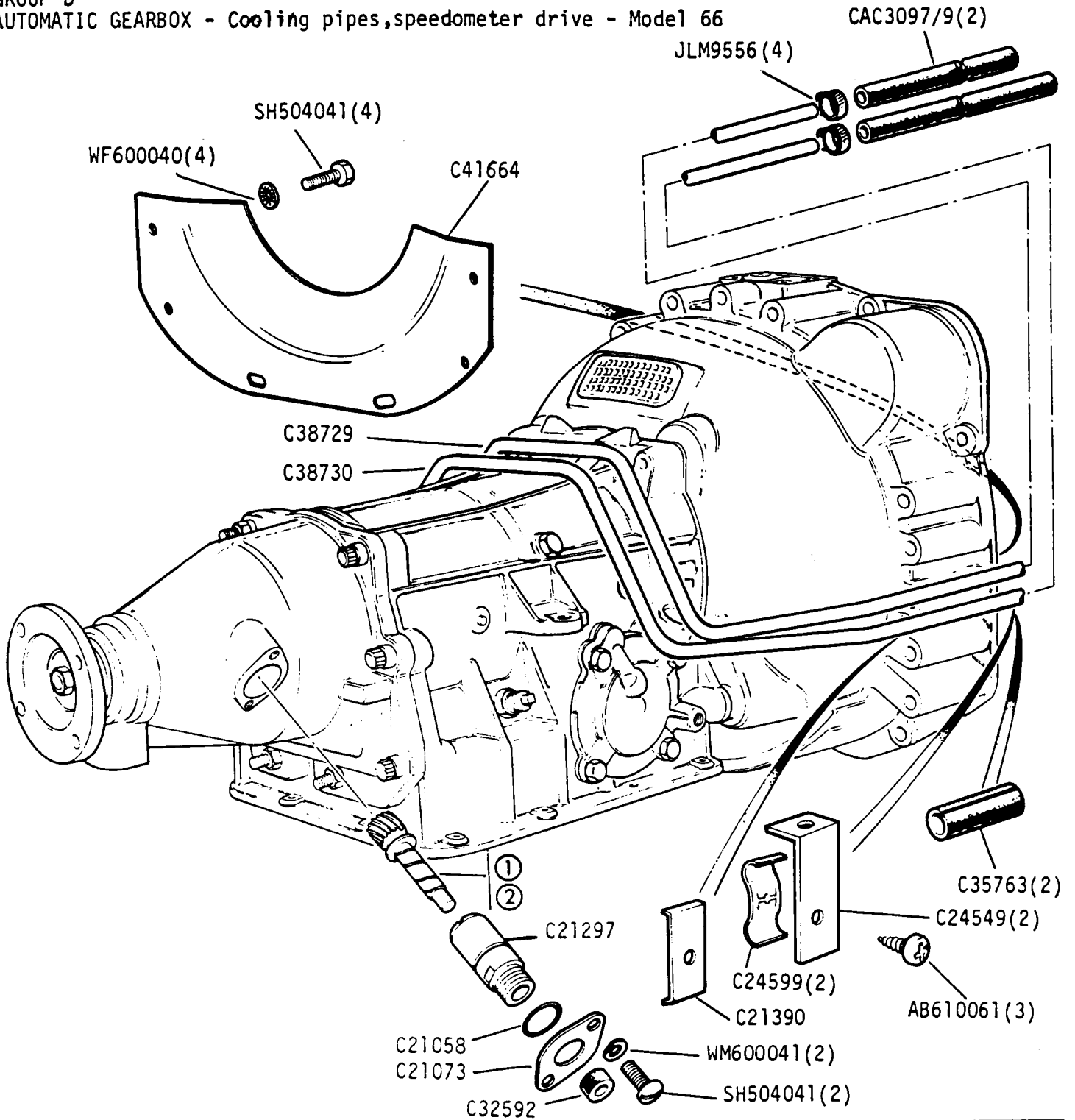
GROUP D
 AUTOMATIC GEARBOX - transmission unit and kickdown cable - Model 66



- | | | |
|---------------------------------------|-----------------------|-------------------------|
| ① PART OF AEU3007/J RING AND SEAL KIT | GEARBOX AND CONVERTER | SM5184 |
| ② 4.2 LITRE FUEL INJECTION | JLM103/E | 4.2 LITRE RECONDITIONED |
| ③ 4.2/3.4 CARBURETTORS | JLM102/E | 3.4 LITRE RECONDITIONED |
| | EAC4435 | 4.2 N AMERICA ONLY |
| | EAC2893 | 4.2 NEW |
| | EAC2896 | 3.4 NEW |

Jaguar 3.4 and 4.2 and Jaguar Sovereign 4.2 Series 3
 Daimler 4.2 and Jaguar Vanden Plas Series 3

GROUP D
 AUTOMATIC GEARBOX - Cooling pipes, speedometer drive - Model 66



SM5185

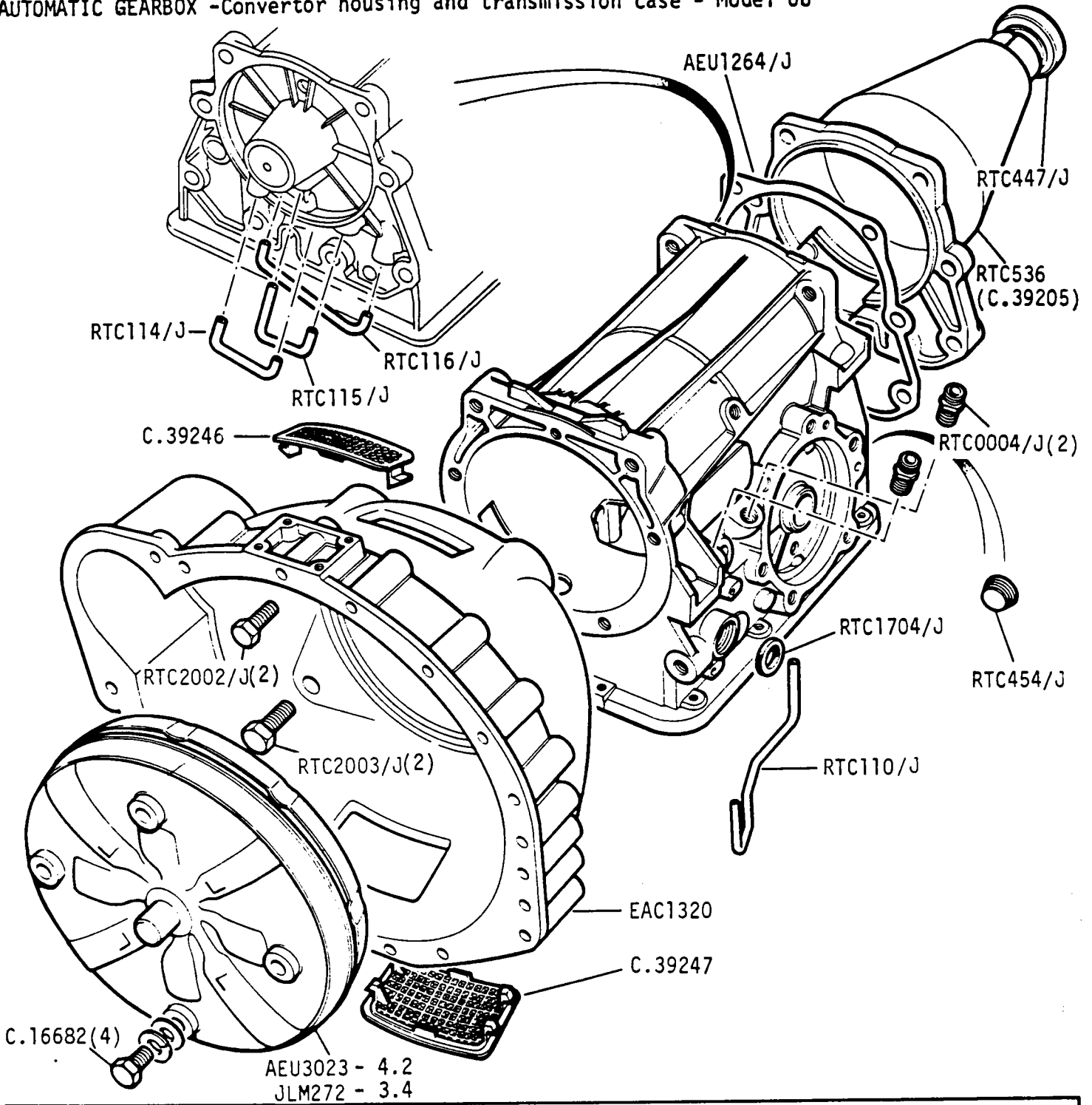
- | | | |
|---|-------------------------------------|----------------|
| ① | C43876 - 4.2 (12 TEETH 3.07:1 axle) | |
| | C43877 - 4.2 (13 TEETH 3.31:1 axle) | |
| ② | EAC4415 4.2 (20 TEETH 2.88:1 axle) | N AMERICA ONLY |
| | C43916 3.4 (14 TEETH 3.54:1 axle) | |

FOR DETAILS OF SPEEDOMETER TRANSDUCER
 SEE ELECTRICAL SECTION

Jaguar 3.4 and 4.2 and Jaguar Sovereign 4.2 Series 3
 Daimler 4.2 and Jaguar Vanden Plas Series 3

1E 06R

GROUP D
 AUTOMATIC GEARBOX - Converter housing and transmission case - Model 66

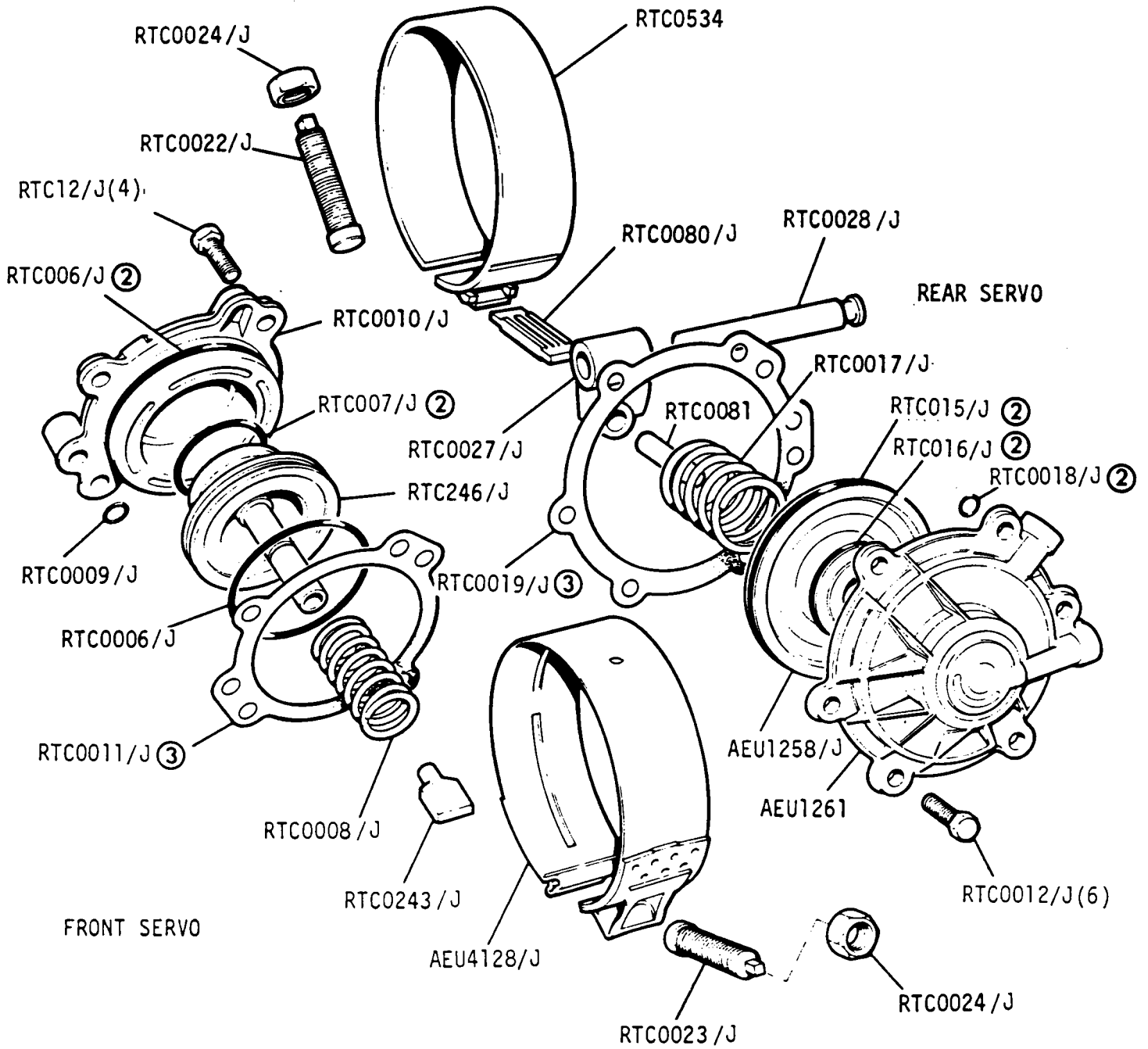


SM5186

Jaguar 3.4 and 4.2 and Jaguar Sovereign 4.2 Series 3
 Daimler 4.2 and Jaguar Vanden Plas Series 3

1E 07L

GROUP D
 AUTOMATIC GEARBOX - servo brake bands and struts Model 66



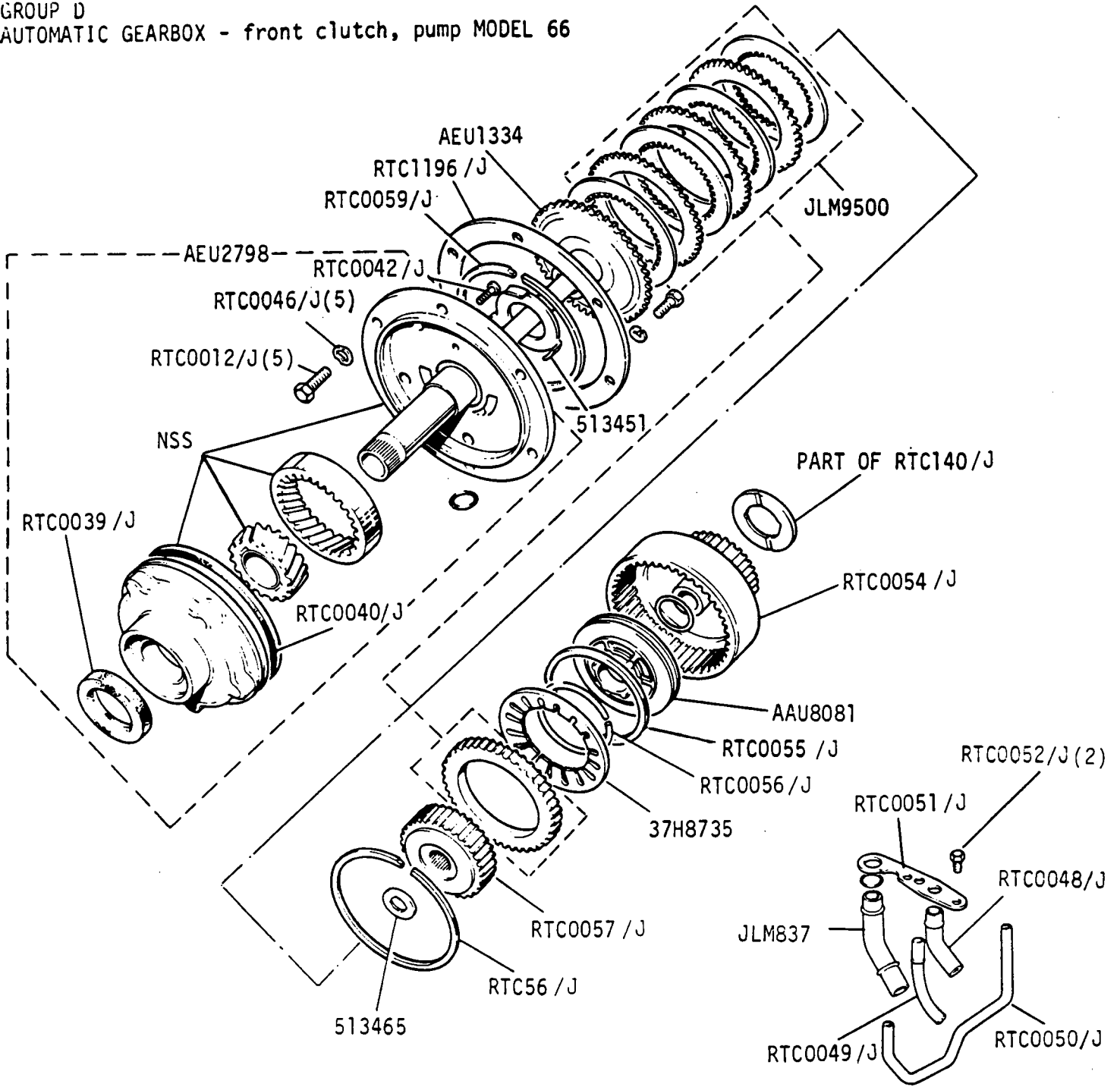
- ② Part of KIT AEU3007/J
- ③ Part of KIT AEU3008

SM5187

Jaguar 3.4 and 4.2 and Jaguar Sovereign 4.2 Series 3
 Daimler 4.2 and Jaguar Vanden Plas Series 3

1E 07R

GROUP D
 AUTOMATIC GEARBOX - front clutch, pump MODEL 66

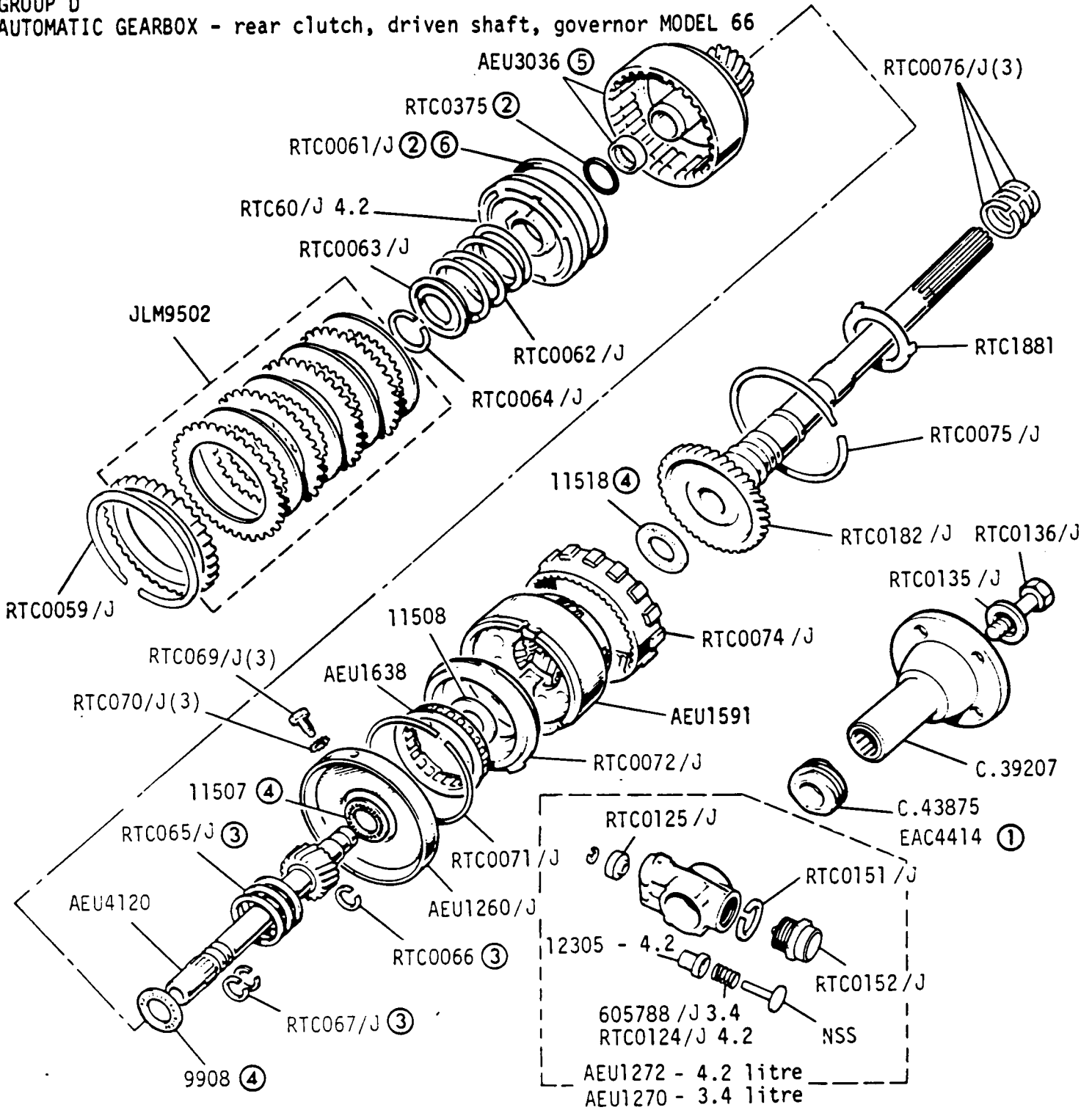


SM5188

Jaguar 3.4 and 4.2 and Jaguar Sovereign 4.2 Series 3
 Daimler 4.2 and Jaguar Vanden Plas Series 3

1E 08L

GROUP D
 AUTOMATIC GEARBOX - rear clutch, driven shaft, governor MODEL 66



- ② Part of AEU3007/J
- ③ Part of AEU2868 piston ring kit
- ④ Part of AEU2870 thrust washer kit
- ⑤ Part of AEU3036 front drum kit

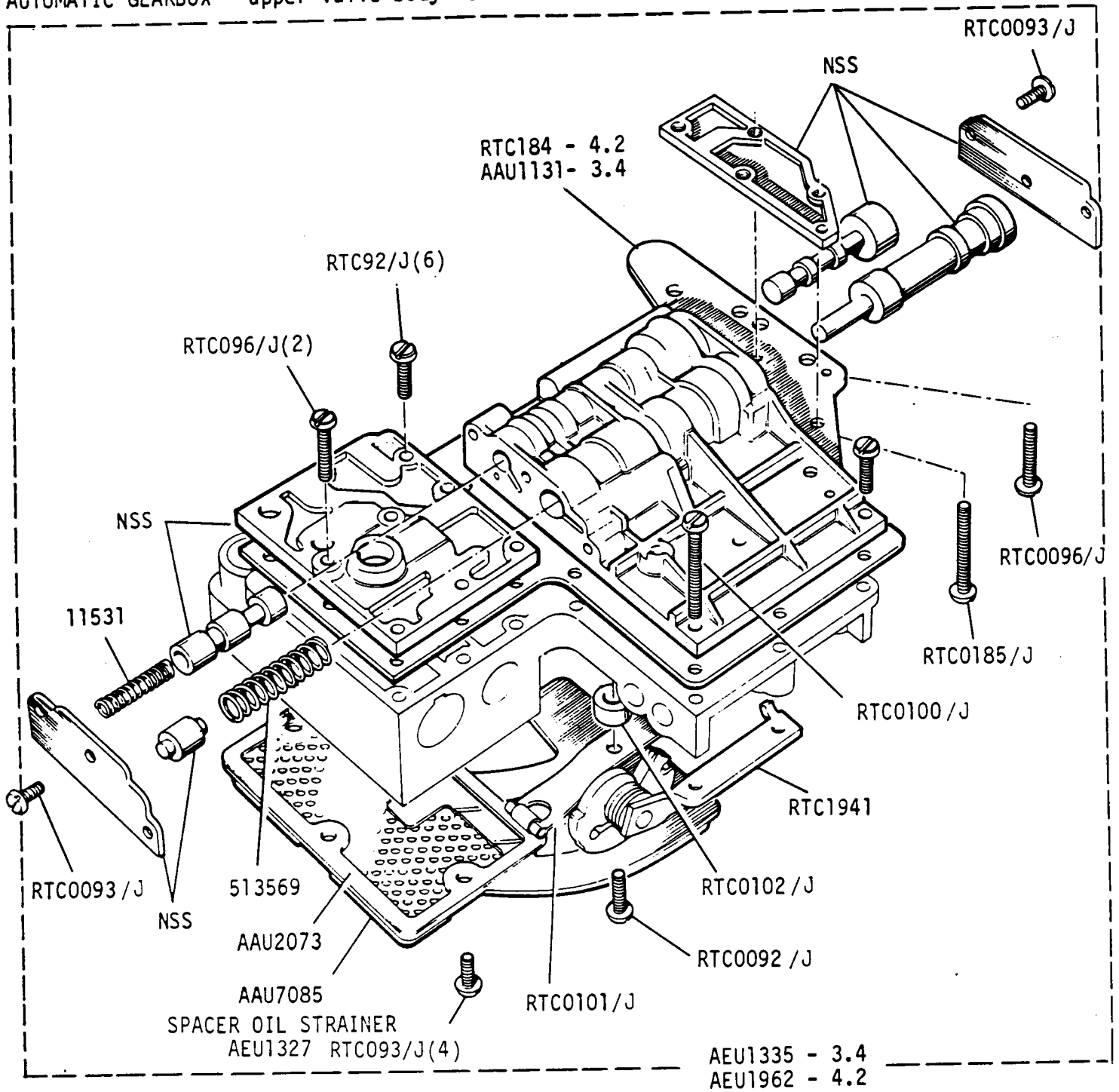
① N AMERICA ONLY

SH5189

Jaguar 3.4 and 4.2 and Jaguar Sovereign 4.2 Series 3
 Daimler 4.2 and Jaguar Vanden Plas Series 3

1E 08R

GROUP D
 AUTOMATIC GEARBOX - upper valve body details MODEL 66

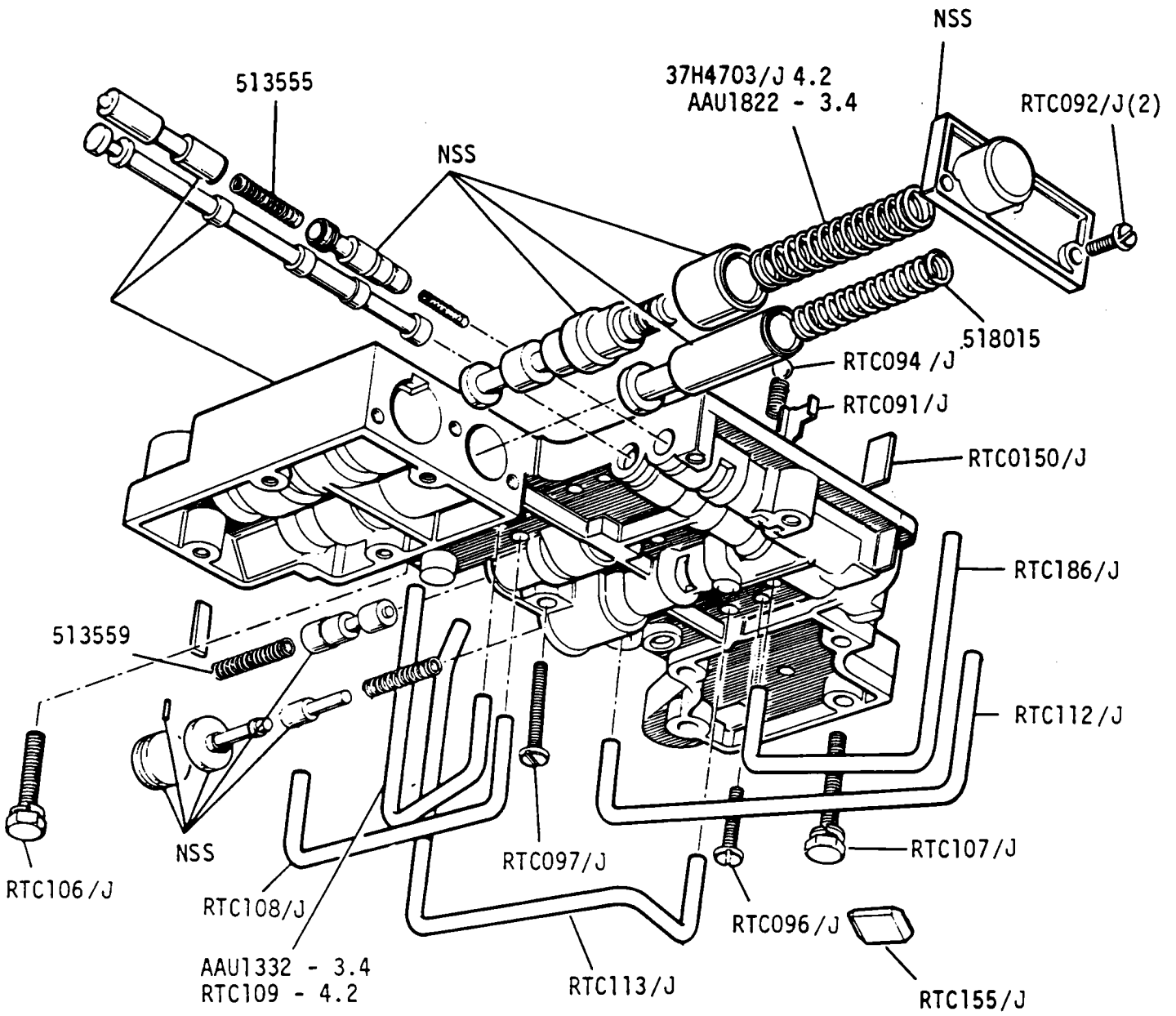


SM5190

Jaguar 3.4 and 4.2 and Jaguar Sovereign 4.2 Series 3
 Daimler 4.2 and Jaguar Vanden Plas Series 3

1E 09L

GROUP D
 AUTOMATIC GEARBOX - lower valve body and rear servo tubes MODEL 66



AEU1570 Spring Kit 4.2

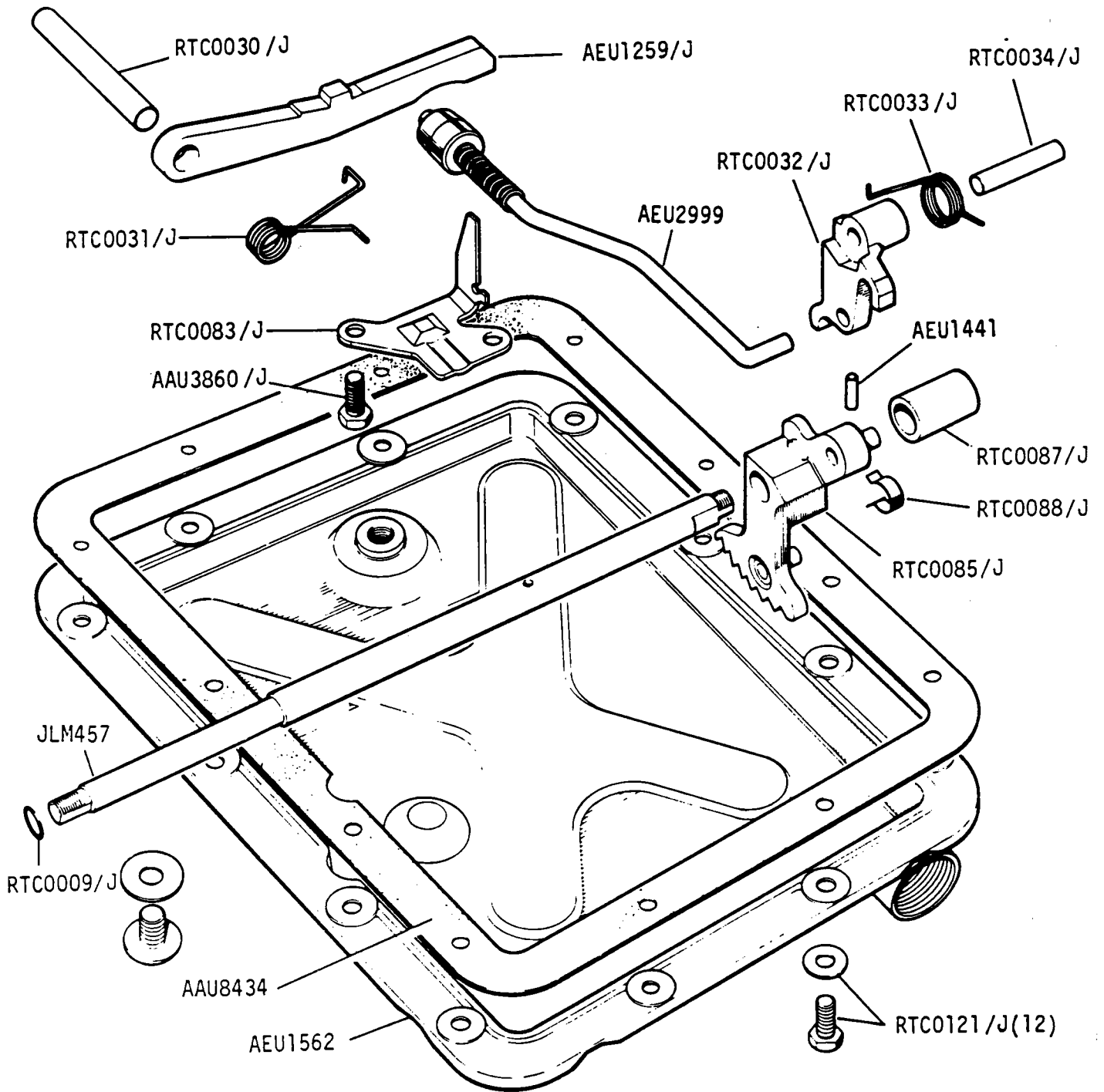
SM5191

AEU3032 Spring Kit 3.4

Jaguar 3.4 and 4.2 and Jaguar Sovereign 4.2 Series 3
 Daimler 4.2 and Jaguar Vanden Plas Series 3

1E 09R

GROUP D
 AUTOMATIC GEARBOX - oil pan and parking details MODEL 66

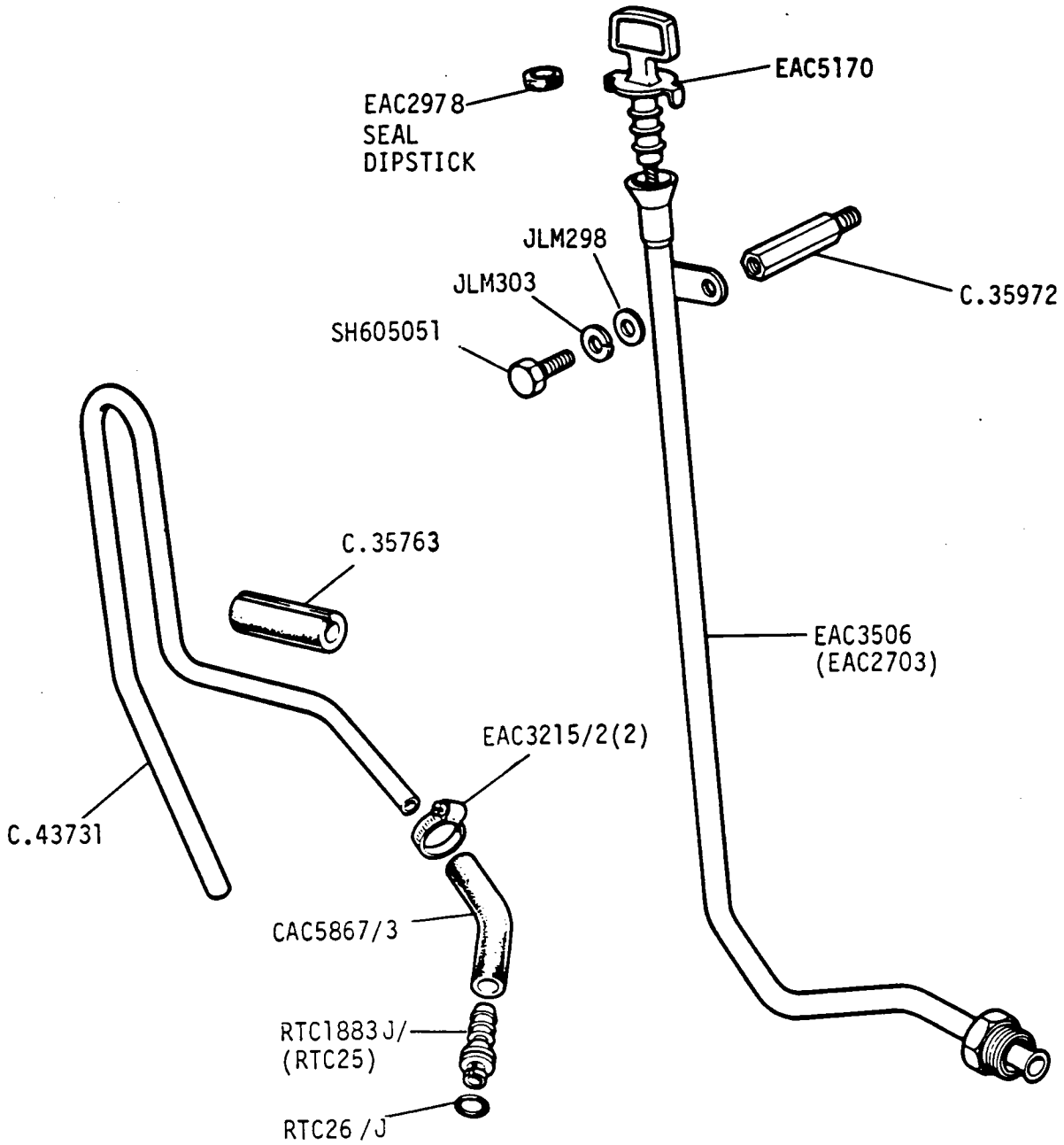


SM5192

Jaguar 3.4 and 4.2 and Jaguar Sovereign 4.2 Series 3
 Daimler 4.2 and Jaguar Vanden Plas Series 3

1E 10L

GROUP D
AUTOMATIC GEARBOX - dipstick and breather - model 66



VS1990

Jaguar 3.4 and 4.2 and Jaguar Sovereign 4.2 Series 3
Daimler 4.2 and Jaguar Vanden Plas Series 3

1E 10R