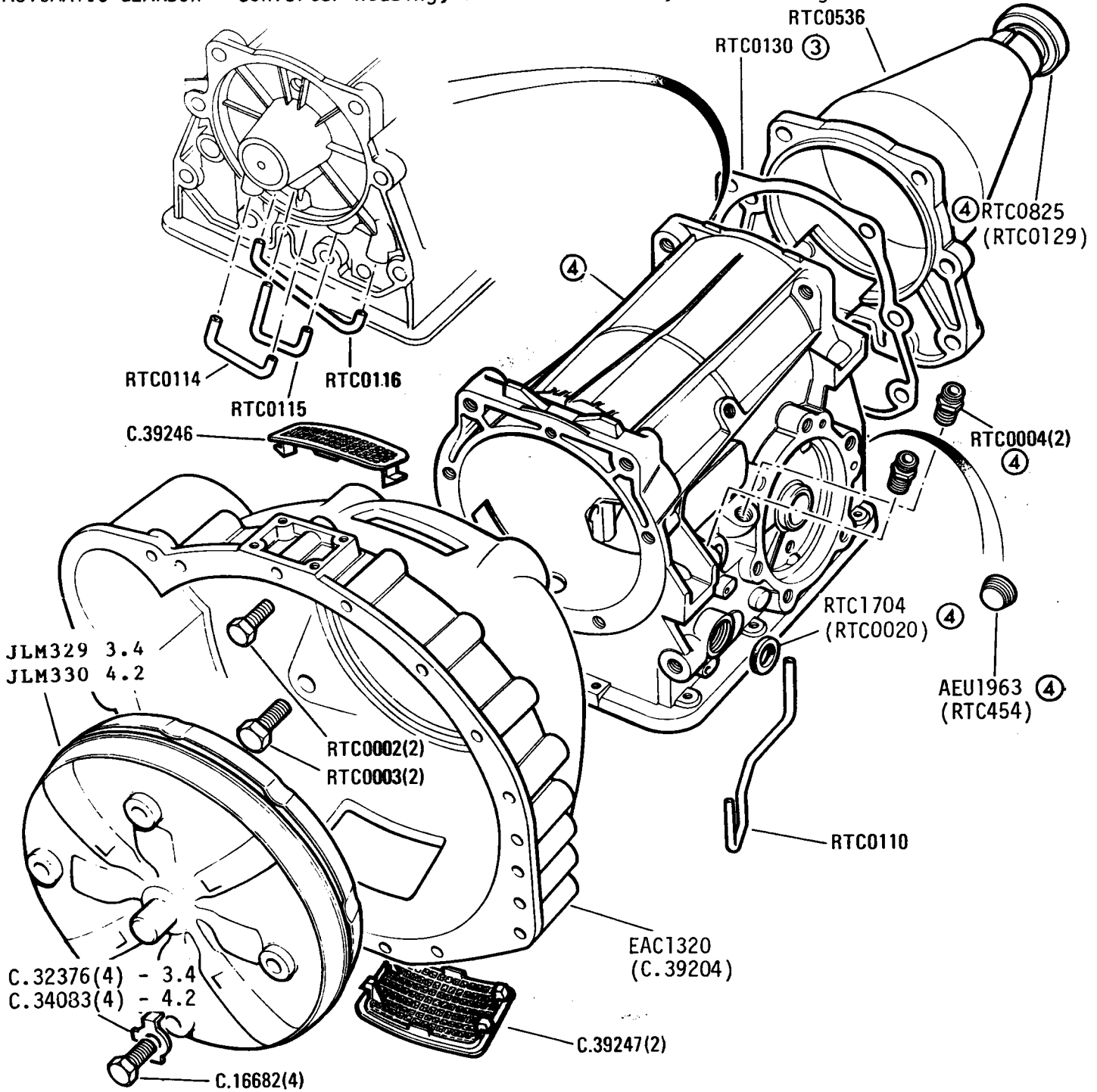


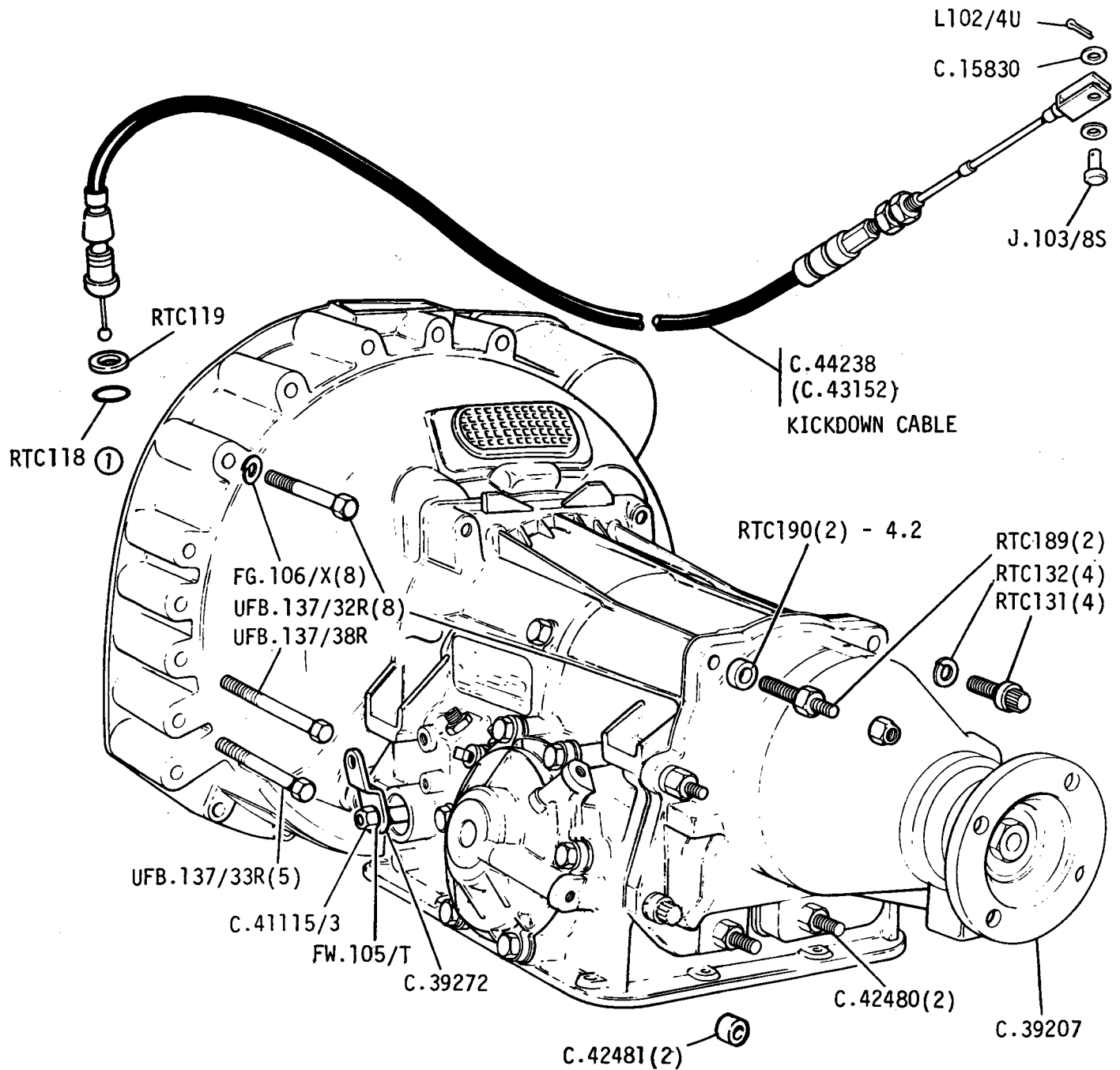
GROUP D

AUTOMATIC GEARBOX - converter housing, transmission case, rear housing Model 65



- ② - part of RTC0137 o-ring and seal kit
- ③ - part of RTC0138 gasket kit
- ④ - part of RTC0542 transmission case kit

GROUP D  
 AUTOMATIC GEARBOX - transmission unit and kickdown cable - Model 65

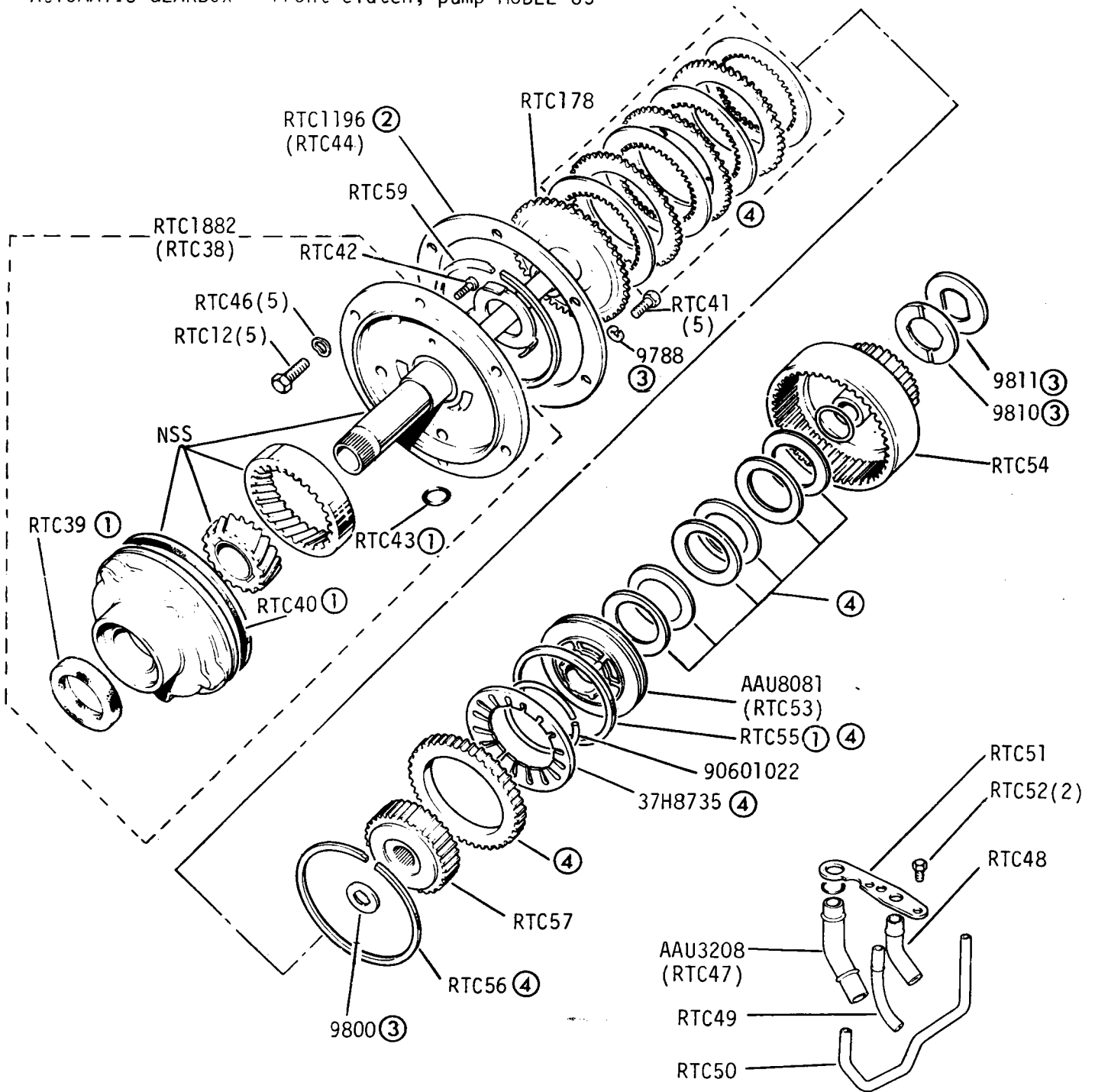


① Part of RTC137 'O' ring and seal kit

GEARBOX AND CONVERTER ASSY  
 3.4 LITRE JLM100E RECOND  
 4.2 LITRE JLM101E RECOND  
 4.2 LITRE EAC2080/N NEW

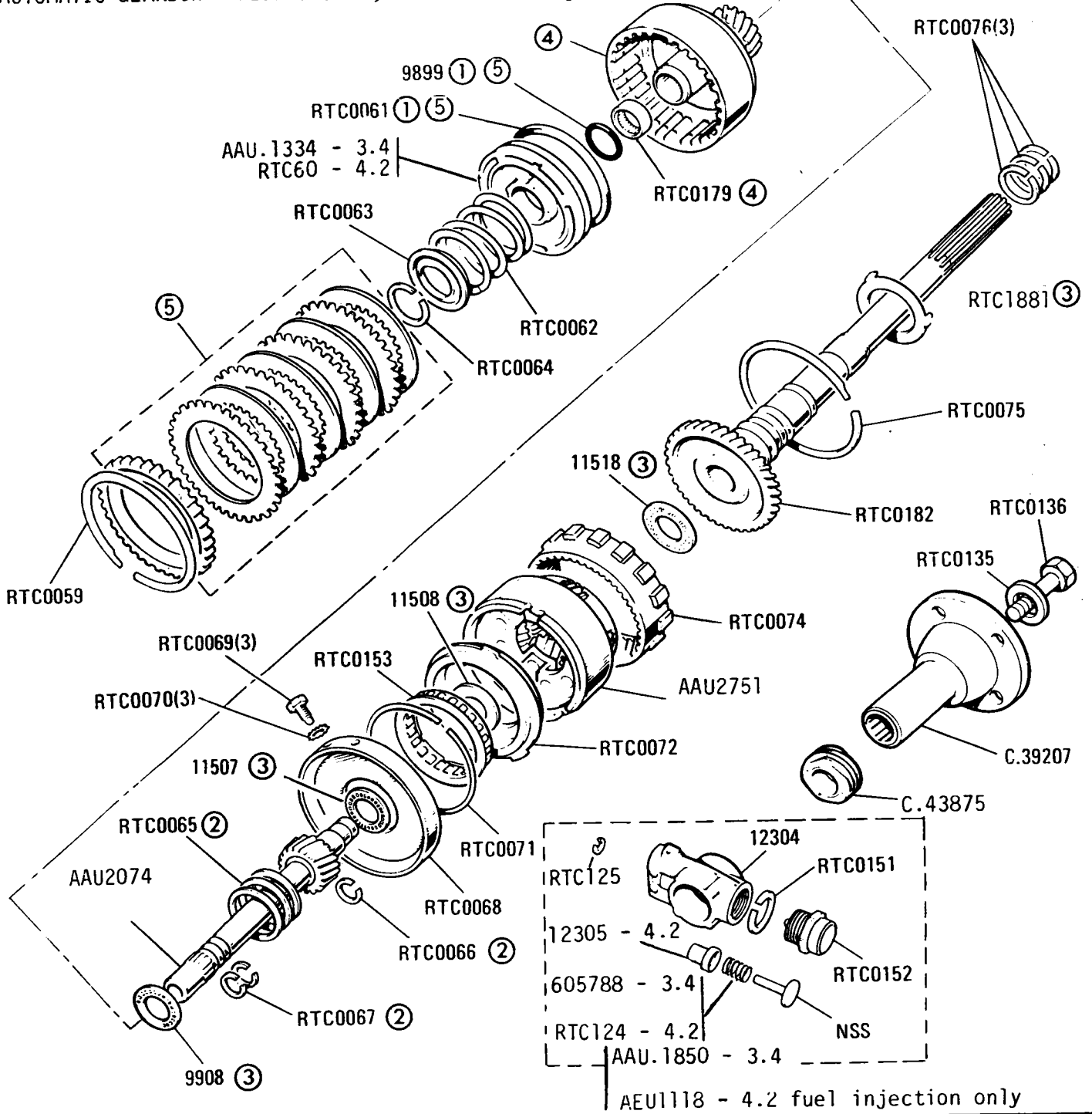


GROUP D  
 AUTOMATIC GEARBOX - front clutch, pump MODEL 65



- ① part of RTC137 O ring and seal kit
- ② part of RTC138 gasket kit
- ③ part of AEU2870 thrust washer kit
- ④ part of RTC374 front clutch kit

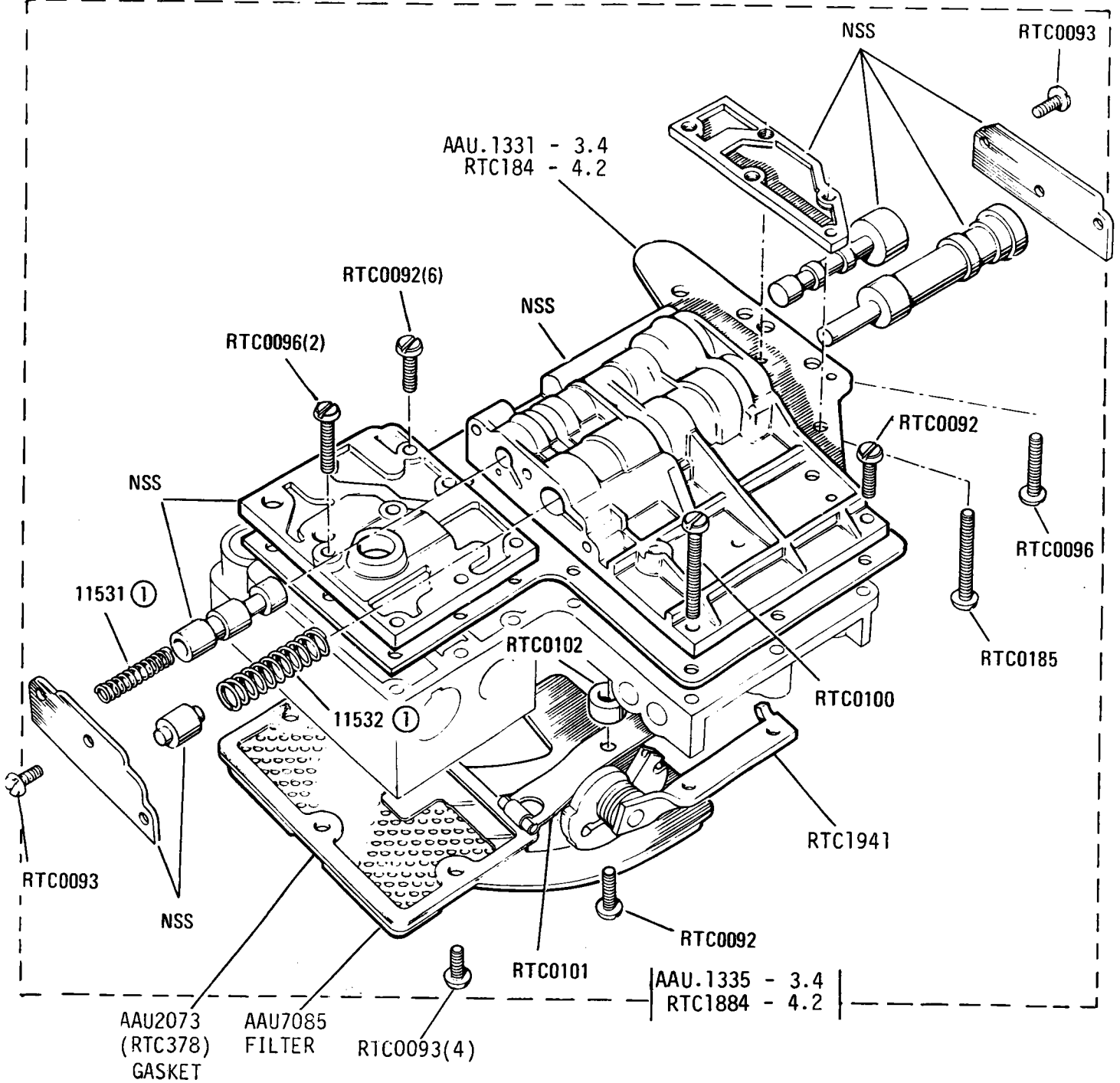
GROUP D  
 AUTOMATIC GEARBOX - rear clutch, driven shaft, governor Model 65



- ① Part of RTC0137 o ring and seal kit
- ② Part of RTC0139 piston ring kit
- ③ Part of AEU2870 thrust washer kit
- ④ Part of RTC368 front drum kit

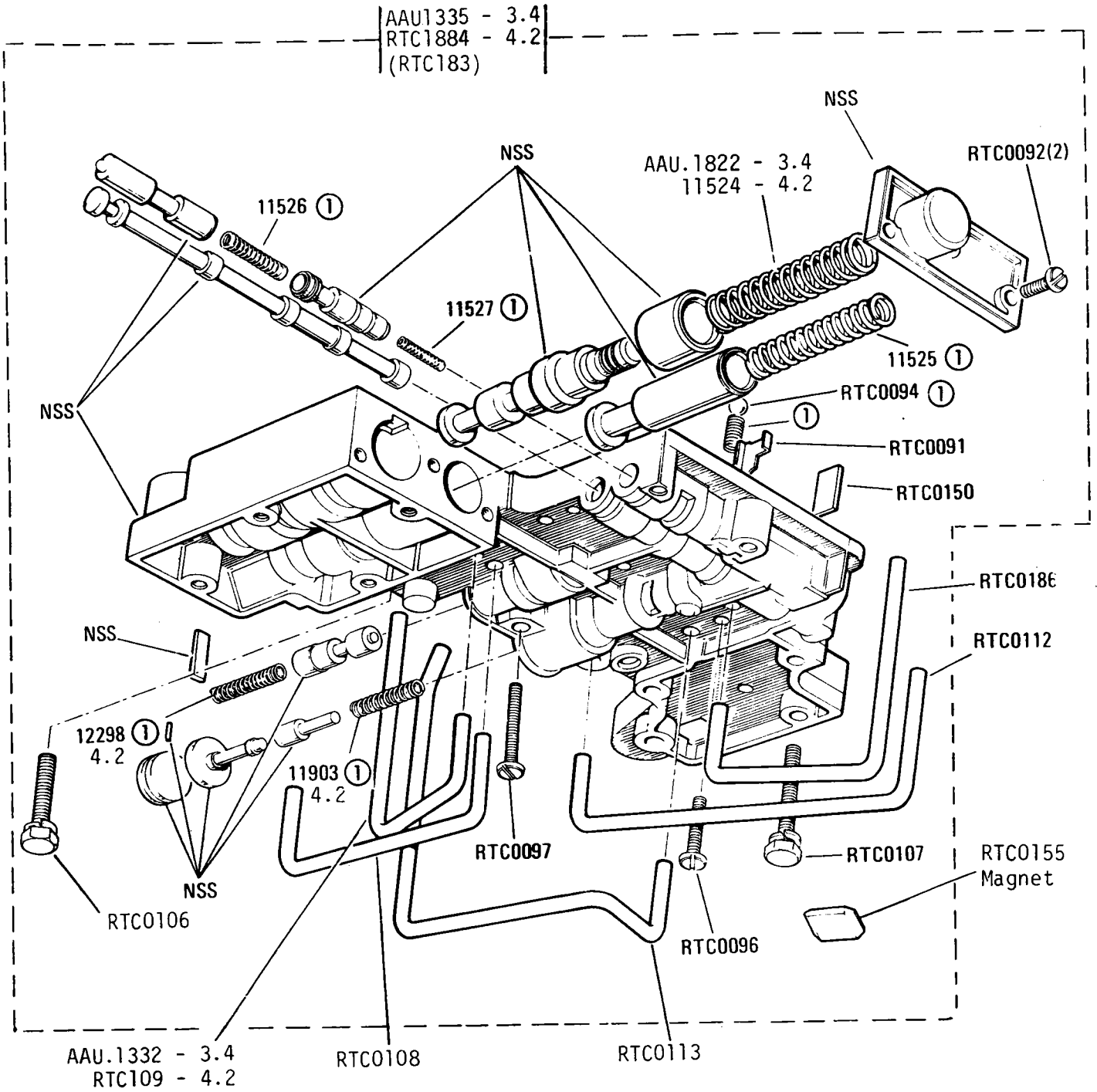
- ⑤ Part of RTC191 rear clutch kit - 4.2
- Part of AAU2912 rear clutch kit - 3.4

GROUP D  
 AUTOMATIC GEARBOX - upper valve body details Model 65



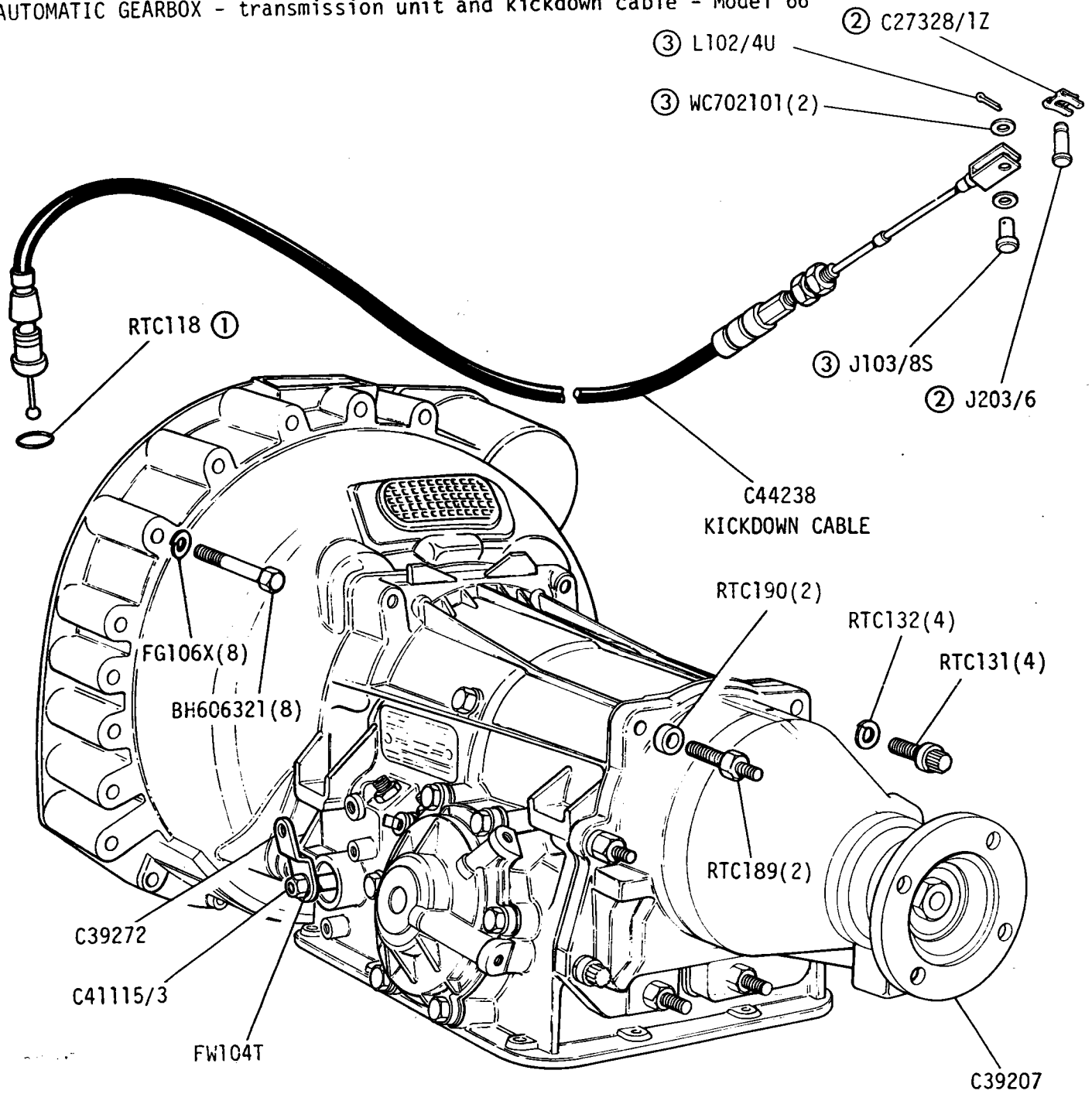
① part of RTC0192 valve body spring kit

GROUP D  
 AUTOMATIC GEARBOX - lower valve body and rear servo tubes MODEL 65



① part of RTC0192 valve body spring kit

GROUP D  
 AUTOMATIC GEARBOX - transmission unit and kickdown cable - Model 66

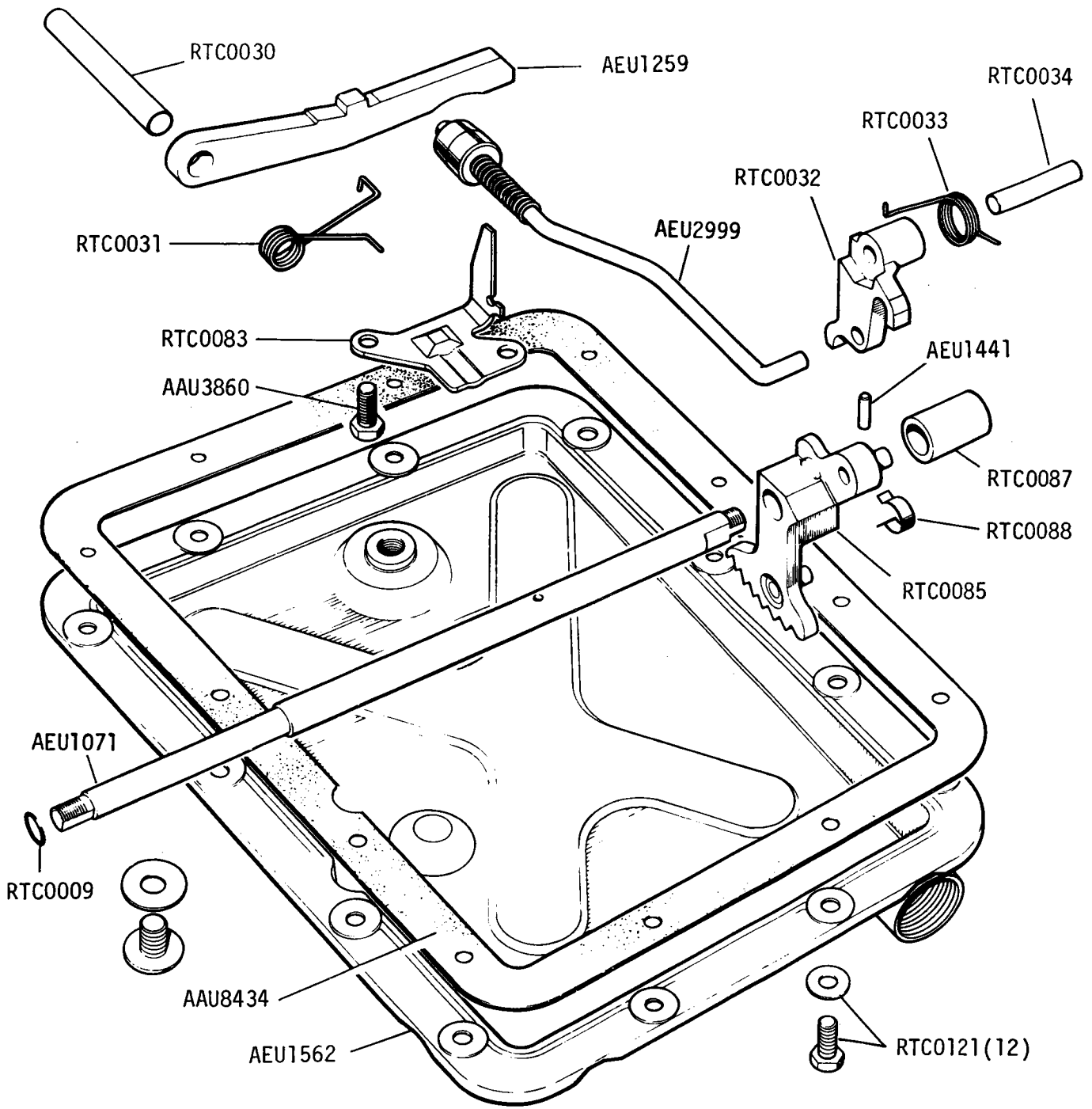


- ① PART OF RTC137 'O' RING AND SEAL KIT
- ② 4.2 LITRE FUEL INJECTION
- ③ 4.2/3.4 CARBURETTORS

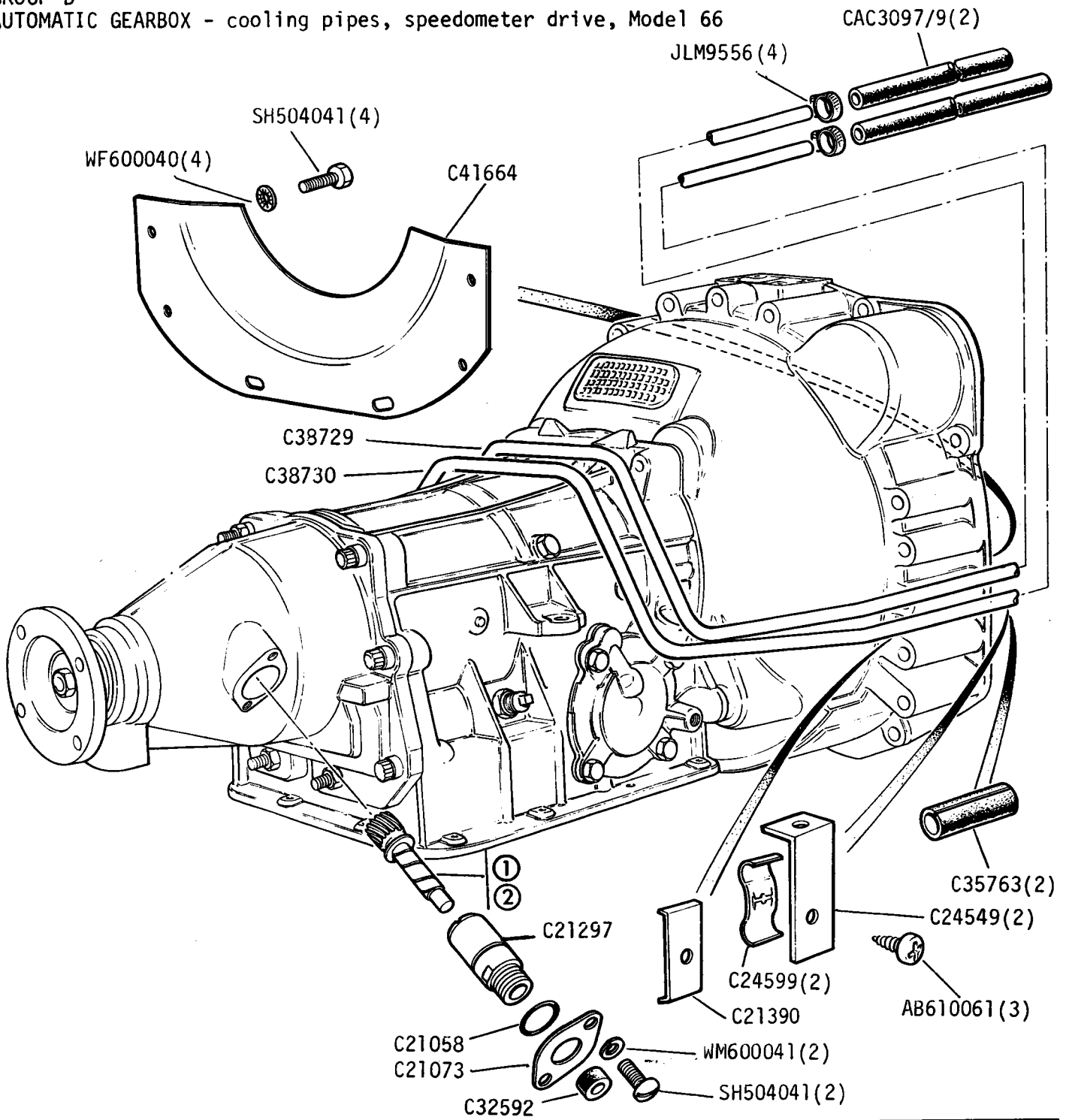
- GEARBOX AND CONVERTER ASSY
- JLM103/E 4.2 LITRE RECONDITIONED
  - JLM102/E 3.4 LITRE RECONDITIONED
  - EAC4435 4.2 N America Only
  - EAC2893 4.2 NEW
  - EAC2896 3.4 NEW



GROUP D  
 AUTOMATIC GEARBOX - oil pan and parking details MODEL 66

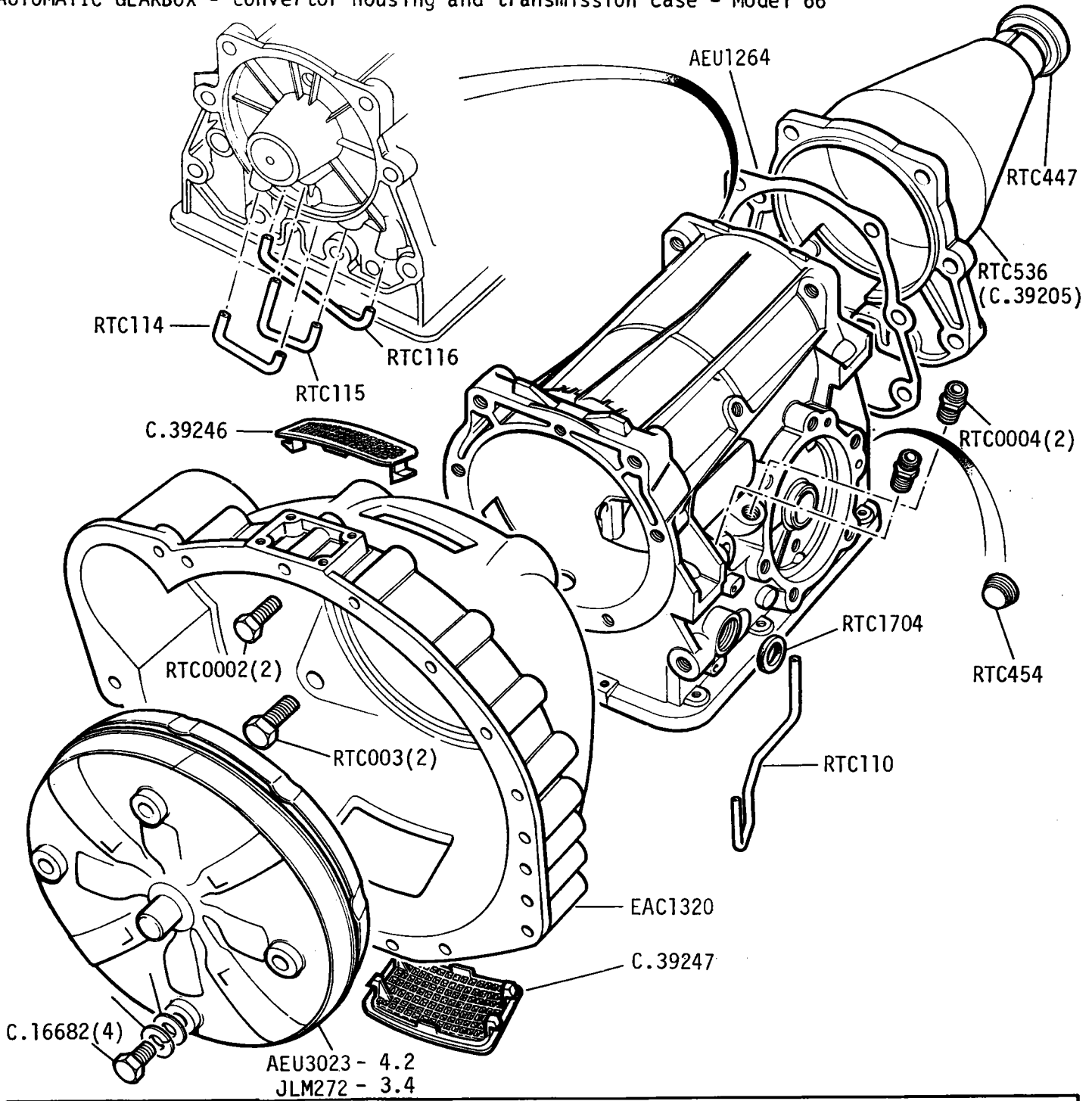


GROUP D  
 AUTOMATIC GEARBOX - cooling pipes, speedometer drive, Model 66

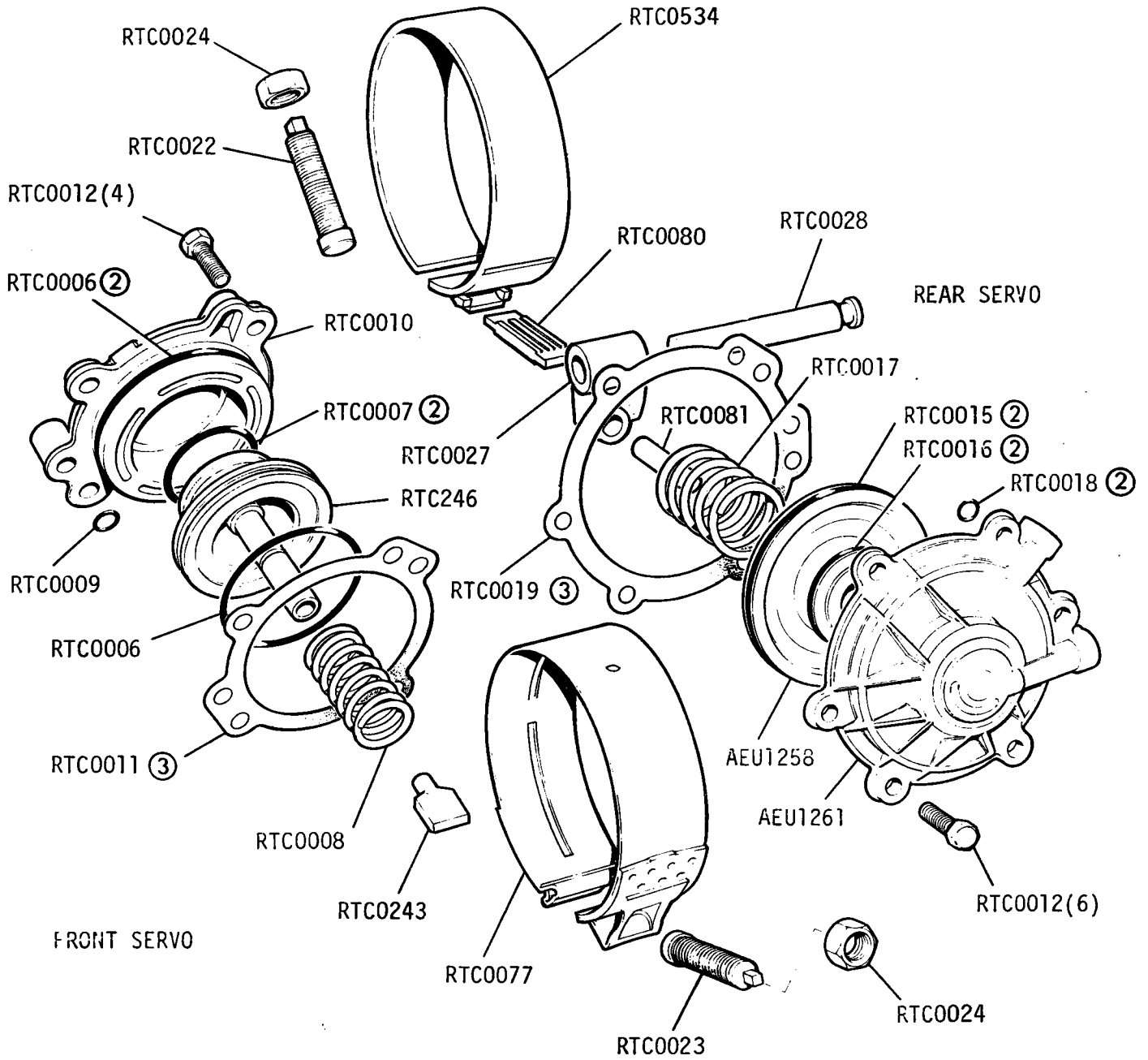


①	C43876	- 4.2	(12 TEETH 3.07:1 axle)	
	C43877	- 4.2	(13 TEETH 3.31:1 axle)	
②	EAC4415	4.2	(20 TEETH 2.88:1 axle)	N AMERICA ONLY
	C43916	3.4	(14 TEETH 3.54:1 axle)	

GROUP D  
 AUTOMATIC GEARBOX - converter housing and transmission case - Model 66



GROUP D  
 AUTOMATIC GEARBOX - servo brake bands and struts Model 66

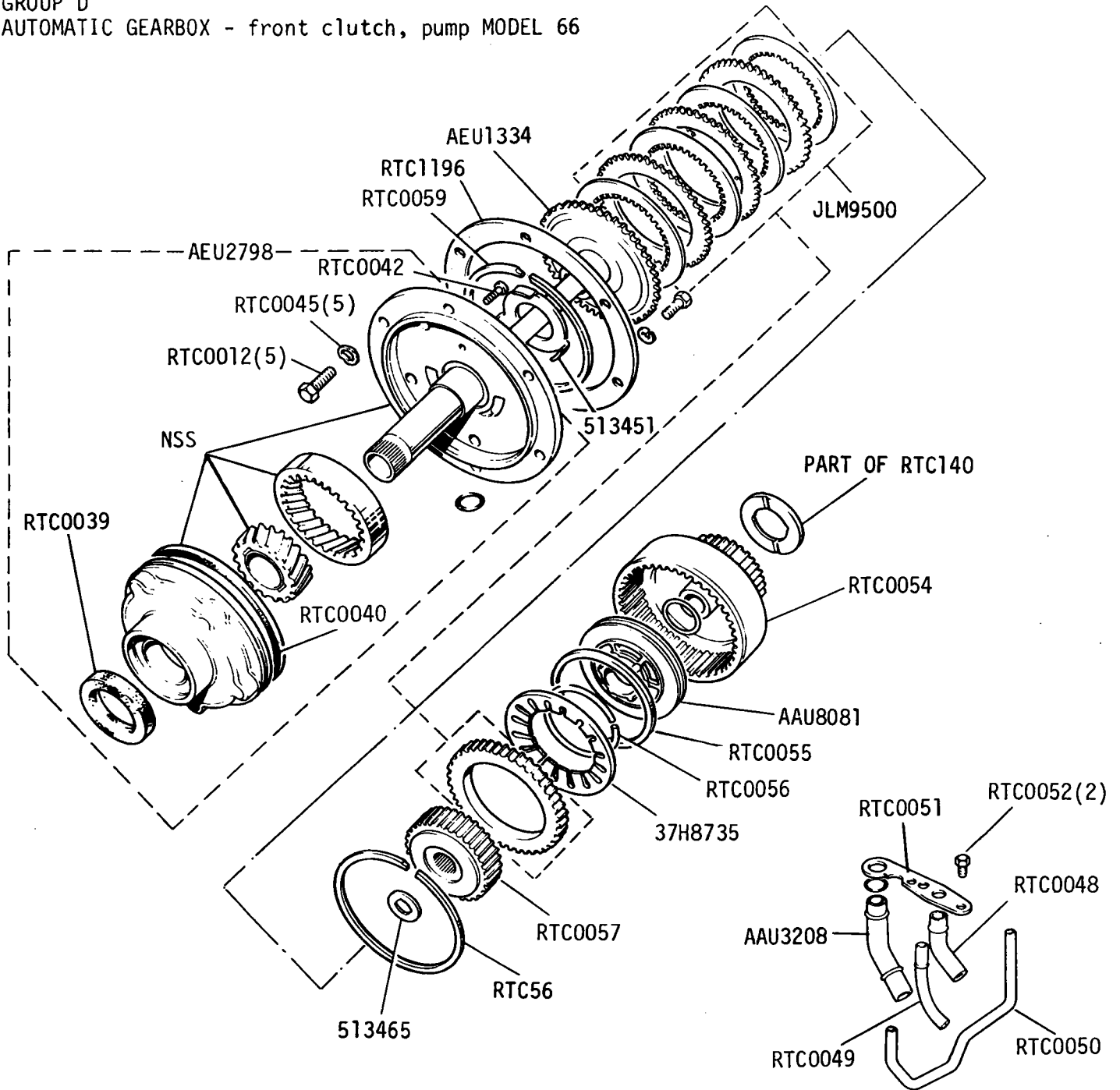


② Part of KIT RTC137

③ Part of KIT GAB408

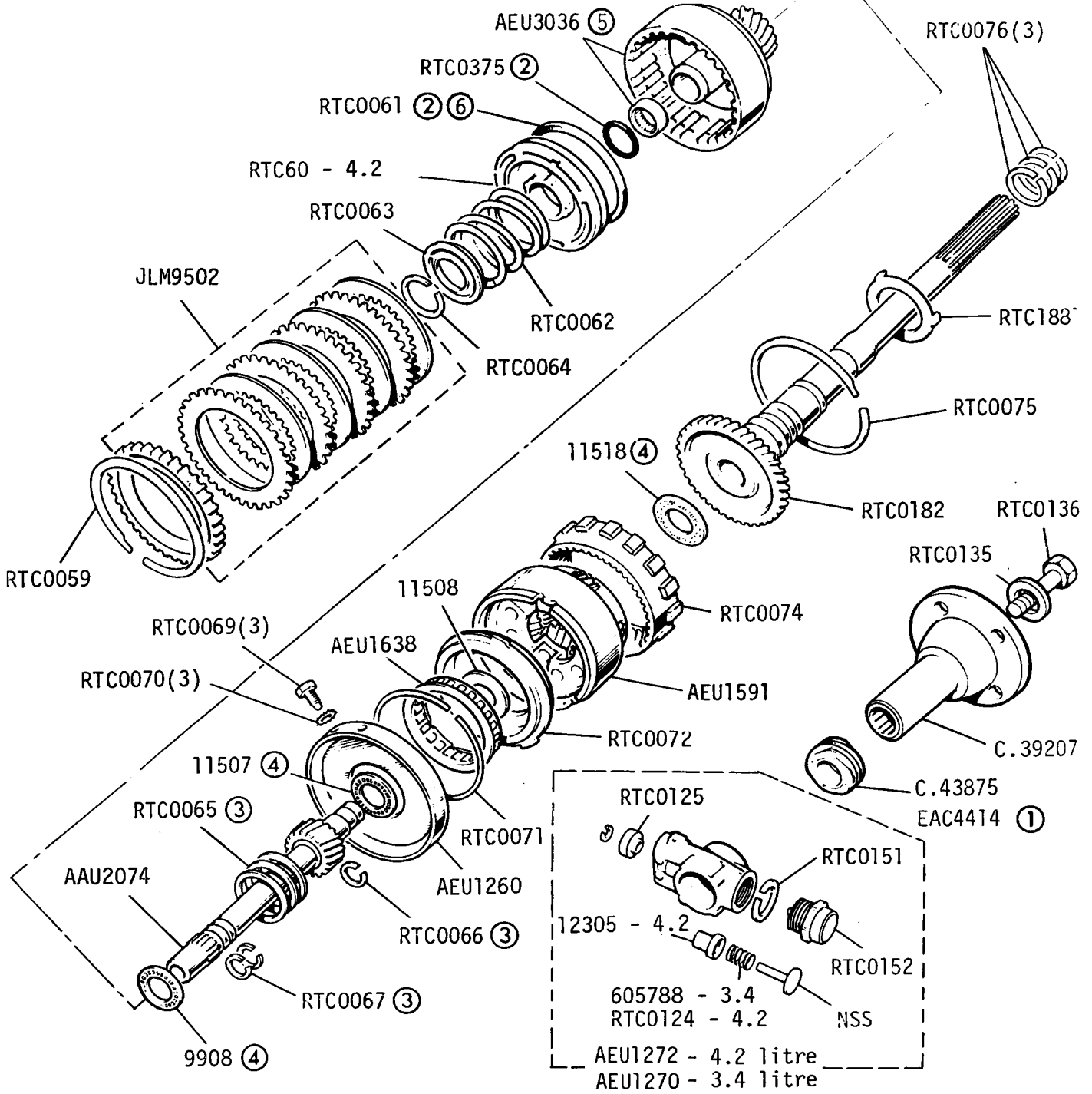
AAU7282 Kit

GROUP D  
 AUTOMATIC GEARBOX - front clutch, pump MODEL 66



GROUP D

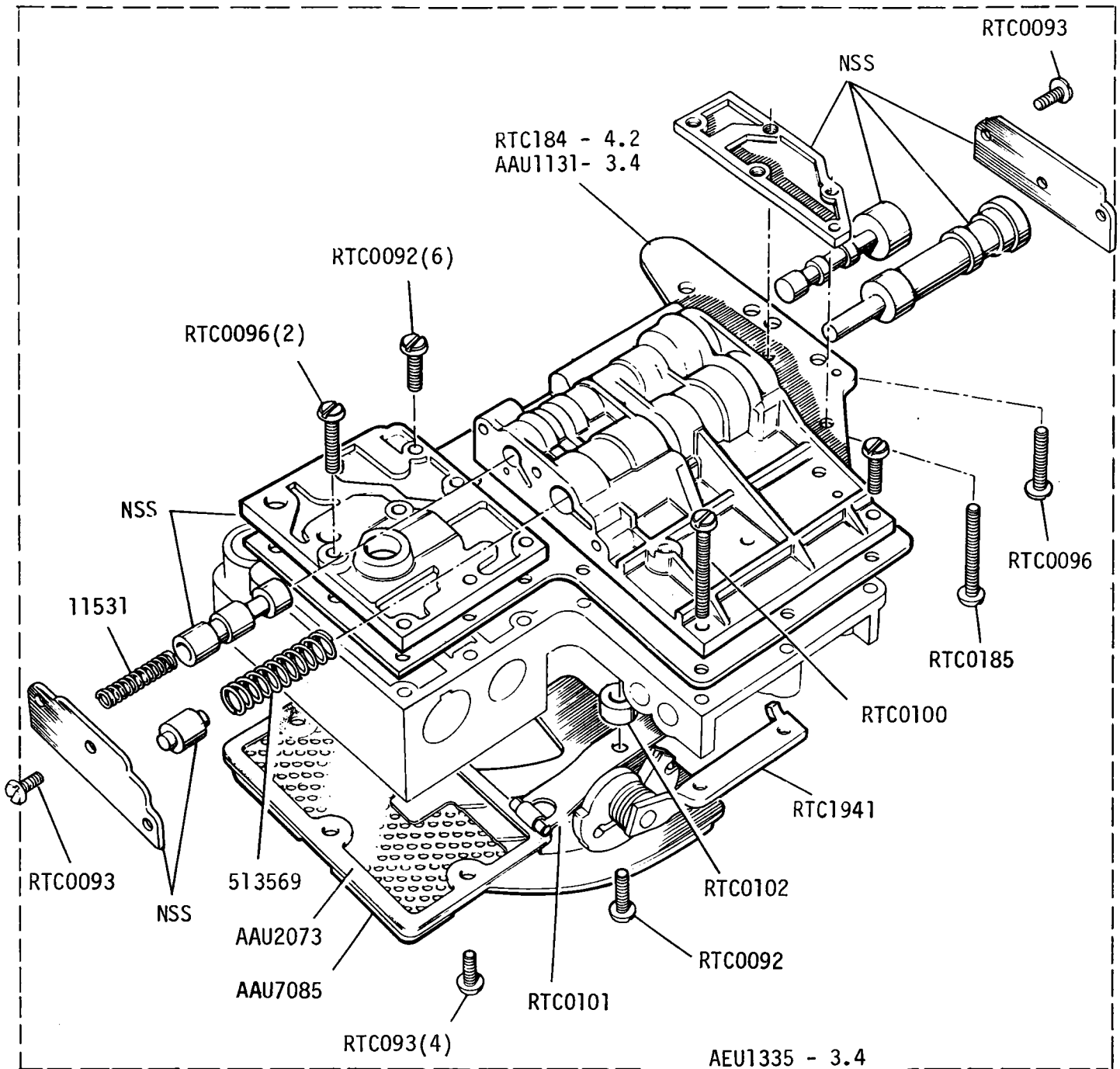
AUTOMATIC GEARBOX - rear clutch, driven shaft, governor MODEL 66



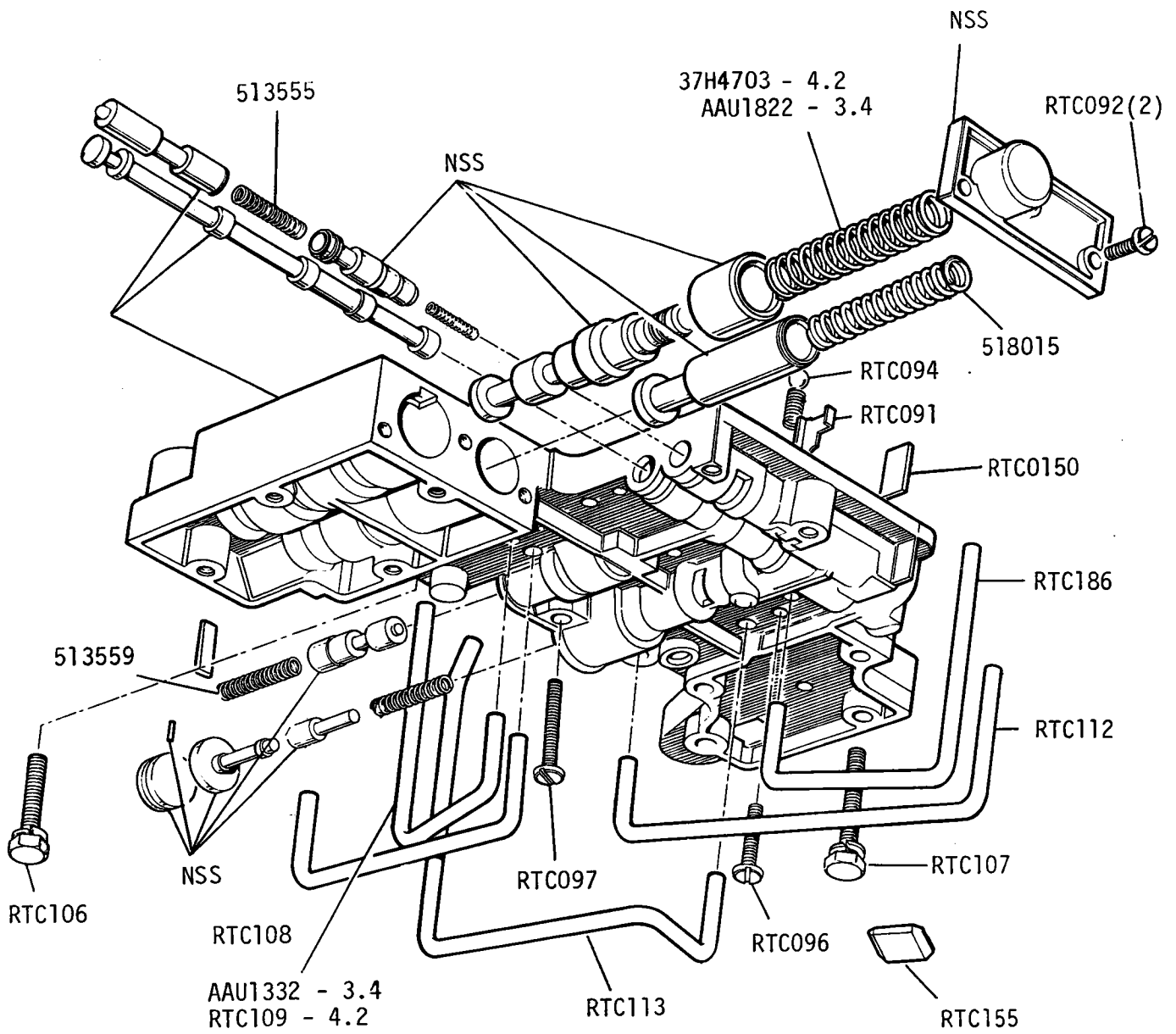
- ② Part of RTC137 ring and seal kit
- ③ Part of AEU2868 piston ring kit
- ④ Part of AEU2870 thrust washer kit
- ⑤ Part of AEU3036 front drum kit

① N AMERICA ONLY

GROUP D  
 AUTOMATIC GEARBOX - upper valve body details MODEL 66

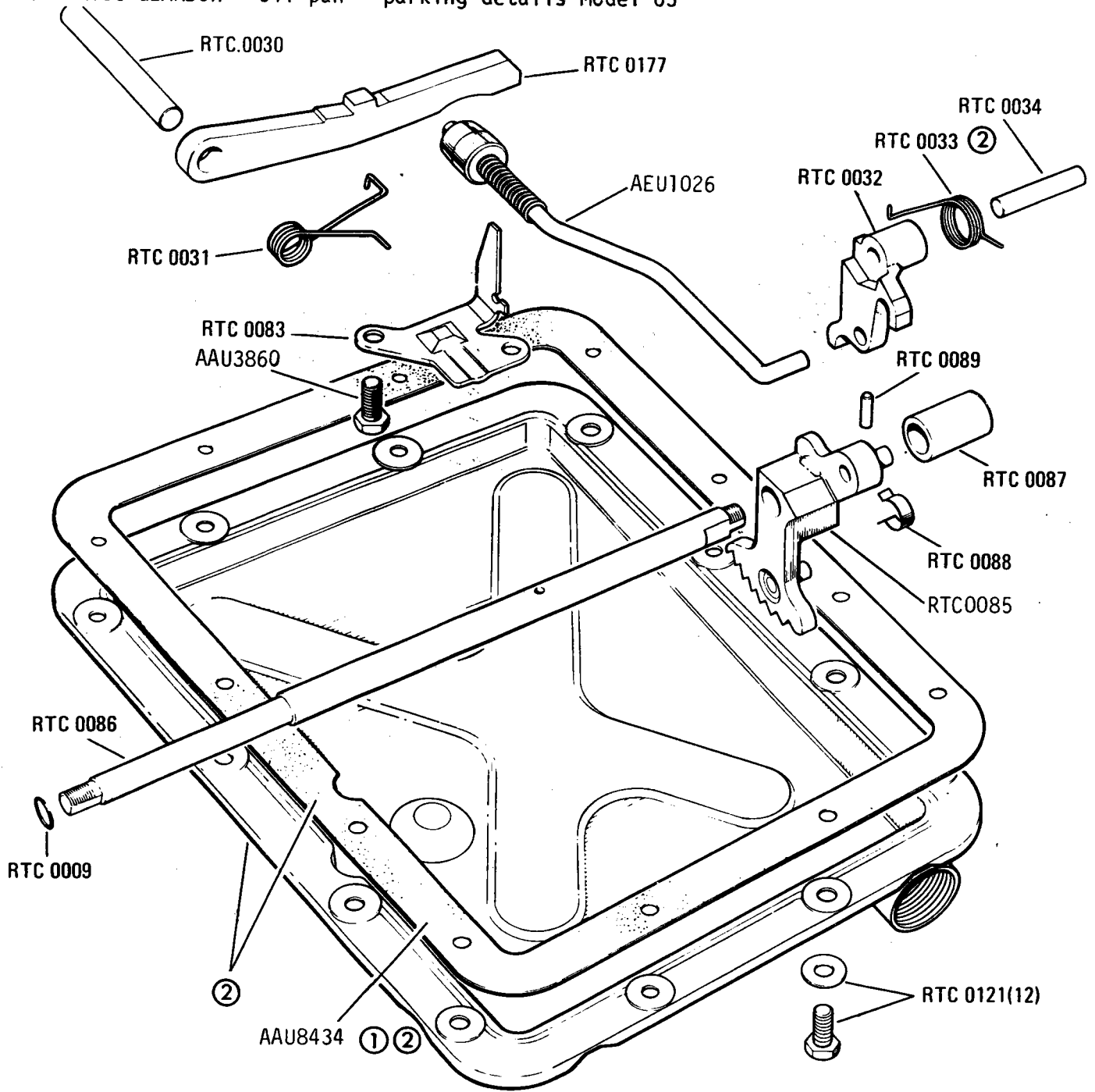


GROUP D  
 AUTOMATIC GEARBOX - lower valve body and rear servo tubes MODEL 66





GROUP D  
 AUTOMATIC GEARBOX - oil pan - parking details Model 65



- ① - part of RTC0138 gasket kit
- ② - part of RTC0143 oil pan kit

GROUP D  
AUTOMATIC GEARBOX - dipstick and breather - model 66

