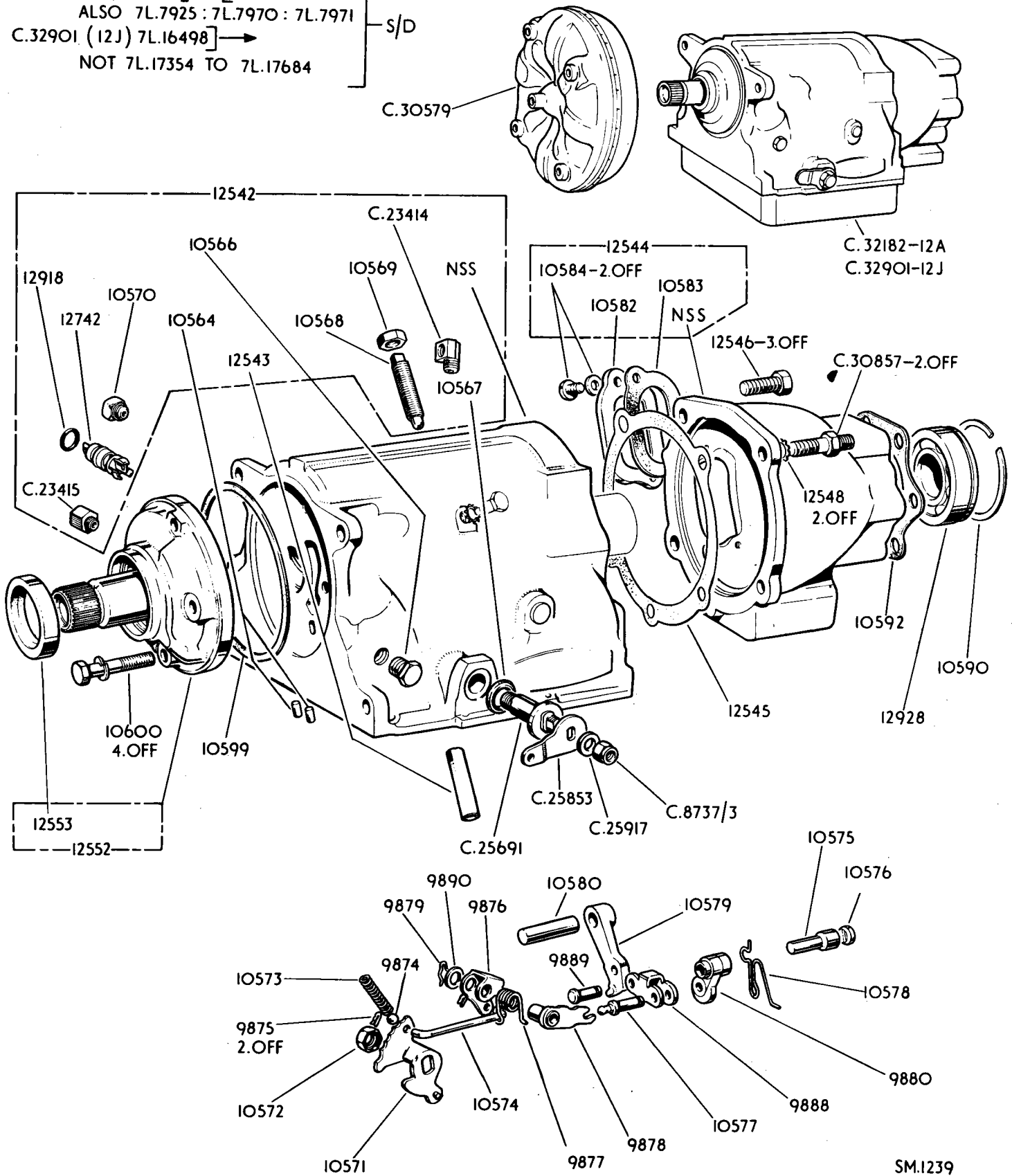


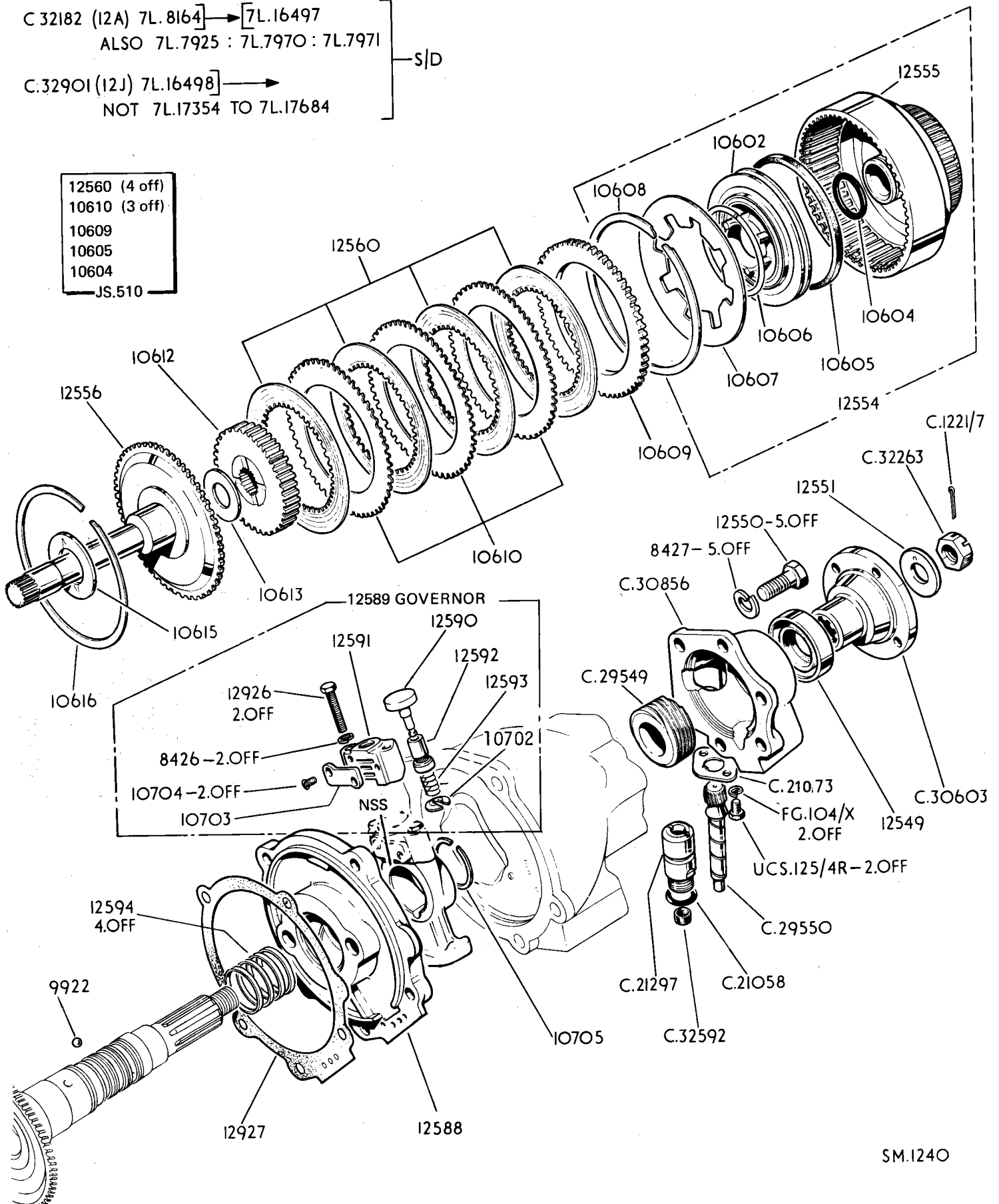
C.32182 (12A) 7L.8164] → [7L.16497
 ALSO 7L.7925 : 7L.7970 : 7L.7971
 C.32901 (12J) 7L.16498] →
 NOT 7L.17354 TO 7L.17684

S/D
 C.30579

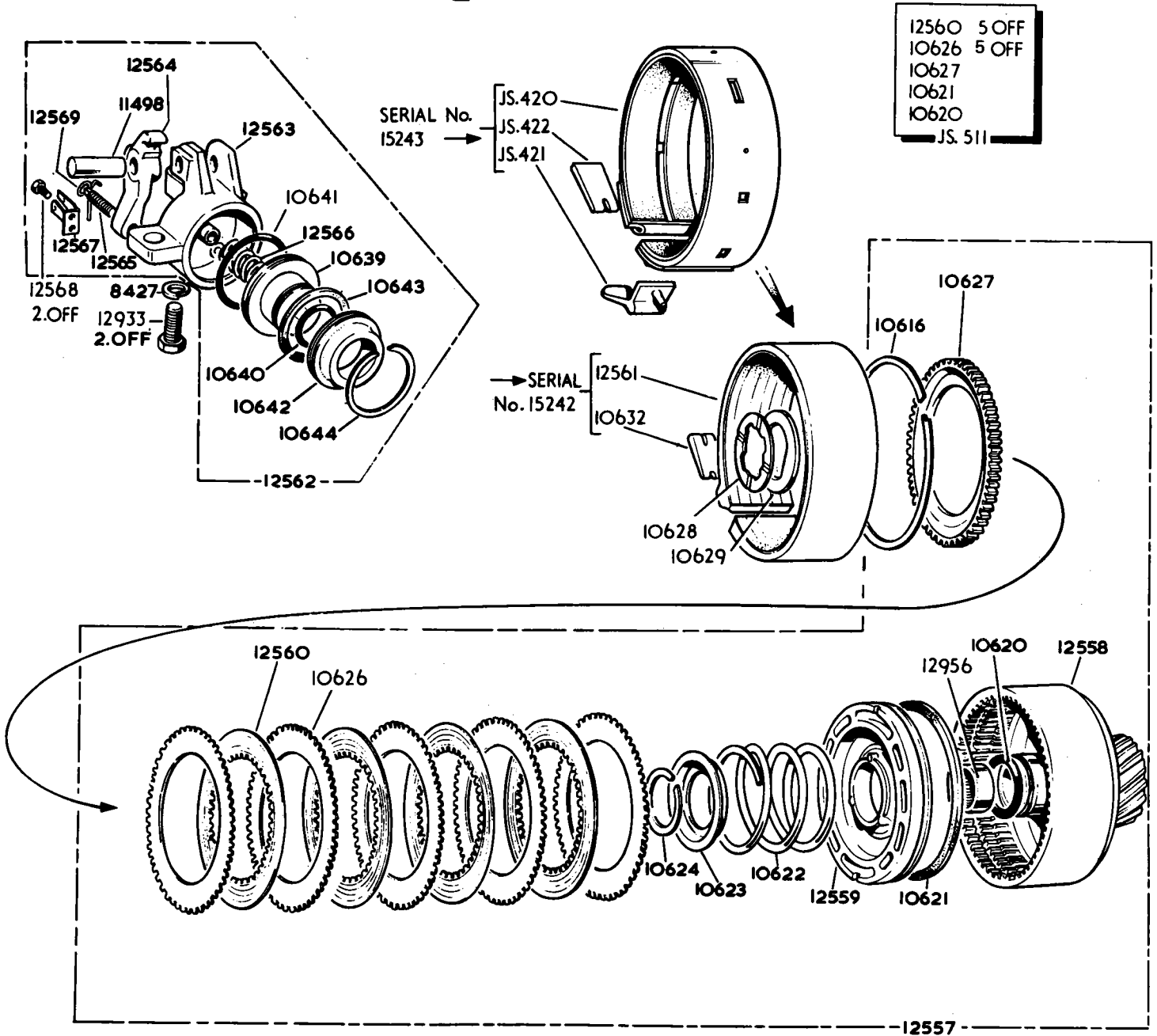


C.32182 (12A) 7L.8164 → 7L.16497
 ALSO 7L.7925 : 7L.7970 : 7L.7971 } S/D
 C.32901 (12J) 7L.16498 →
 NOT 7L.17354 TO 7L.17684

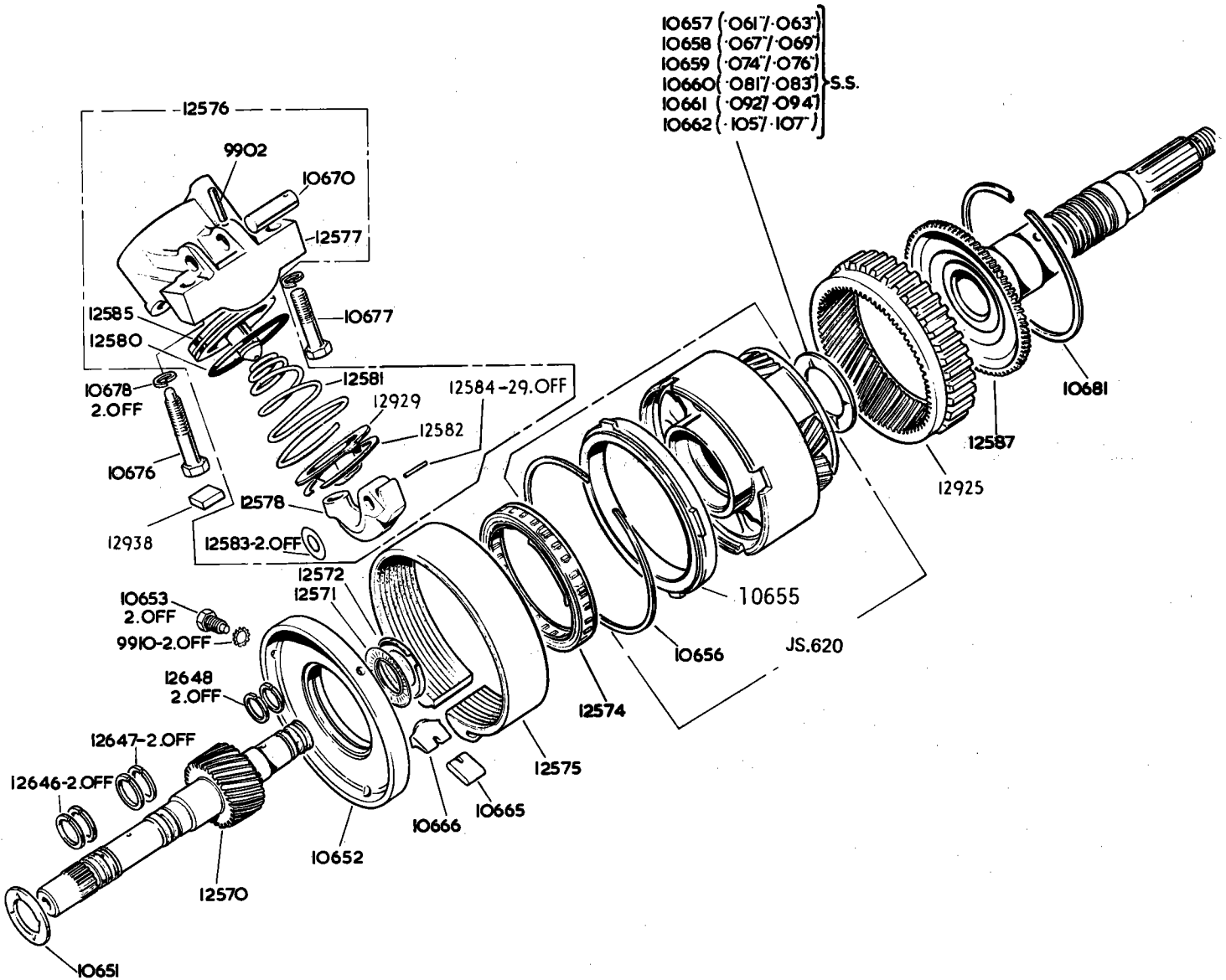
- | |
|---------------|
| 12560 (4 off) |
| 10610 (3 off) |
| 10609 |
| 10605 |
| 10604 |
| JS.510 |



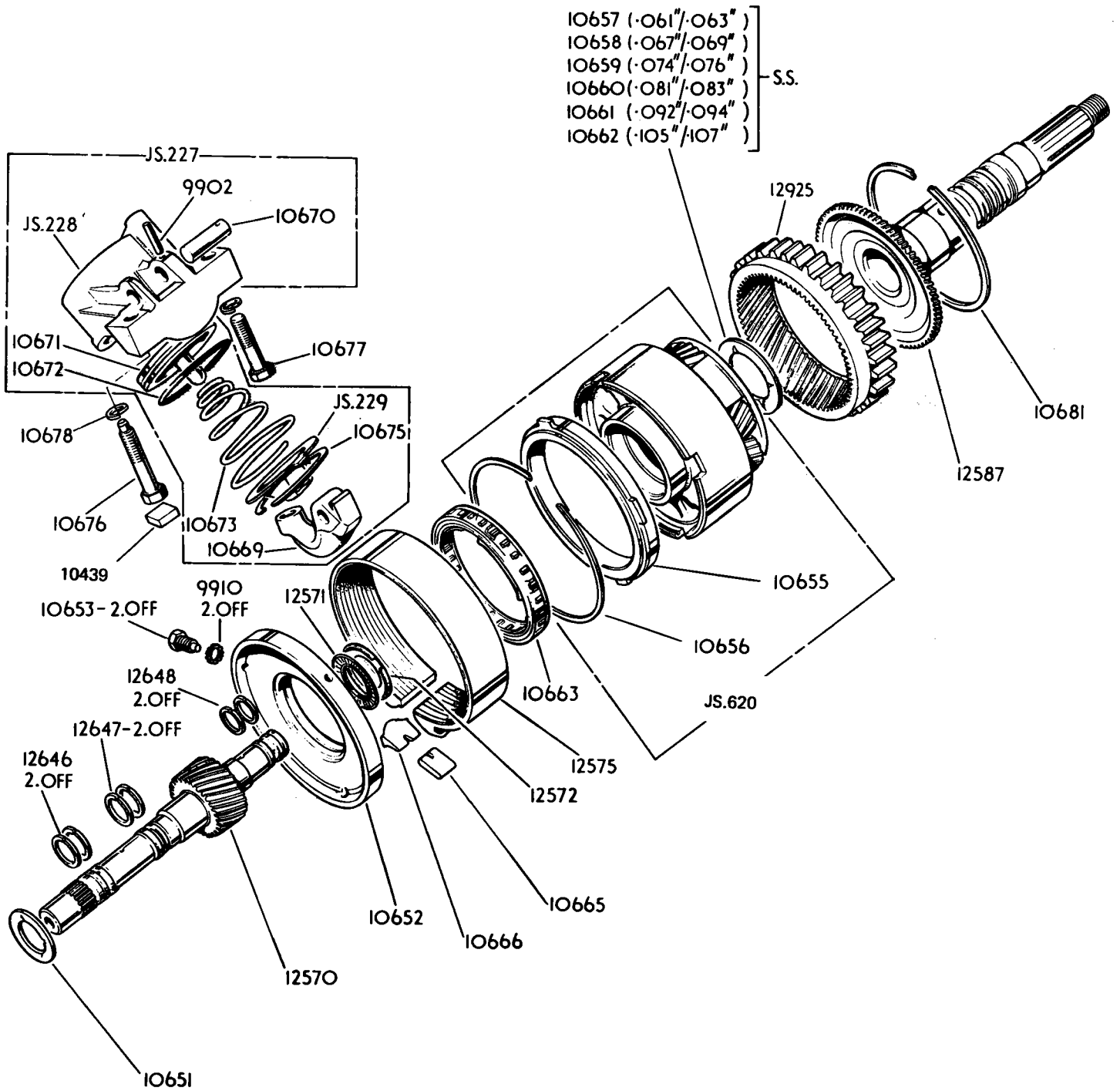
C.32182 (12A) 7L.8164 → 7L.16497
 ALSO 7L.7925 : 7L.7970 : 7L.7971
 C.32901 (12J) 7L.16498 →
 NOT 7L.17354 TO 7L.17684 } S/D



C.32182 - 7L.8164 → 7L.16497
 ALSO 7L.7925 : 7L.7970 : 7L.7971

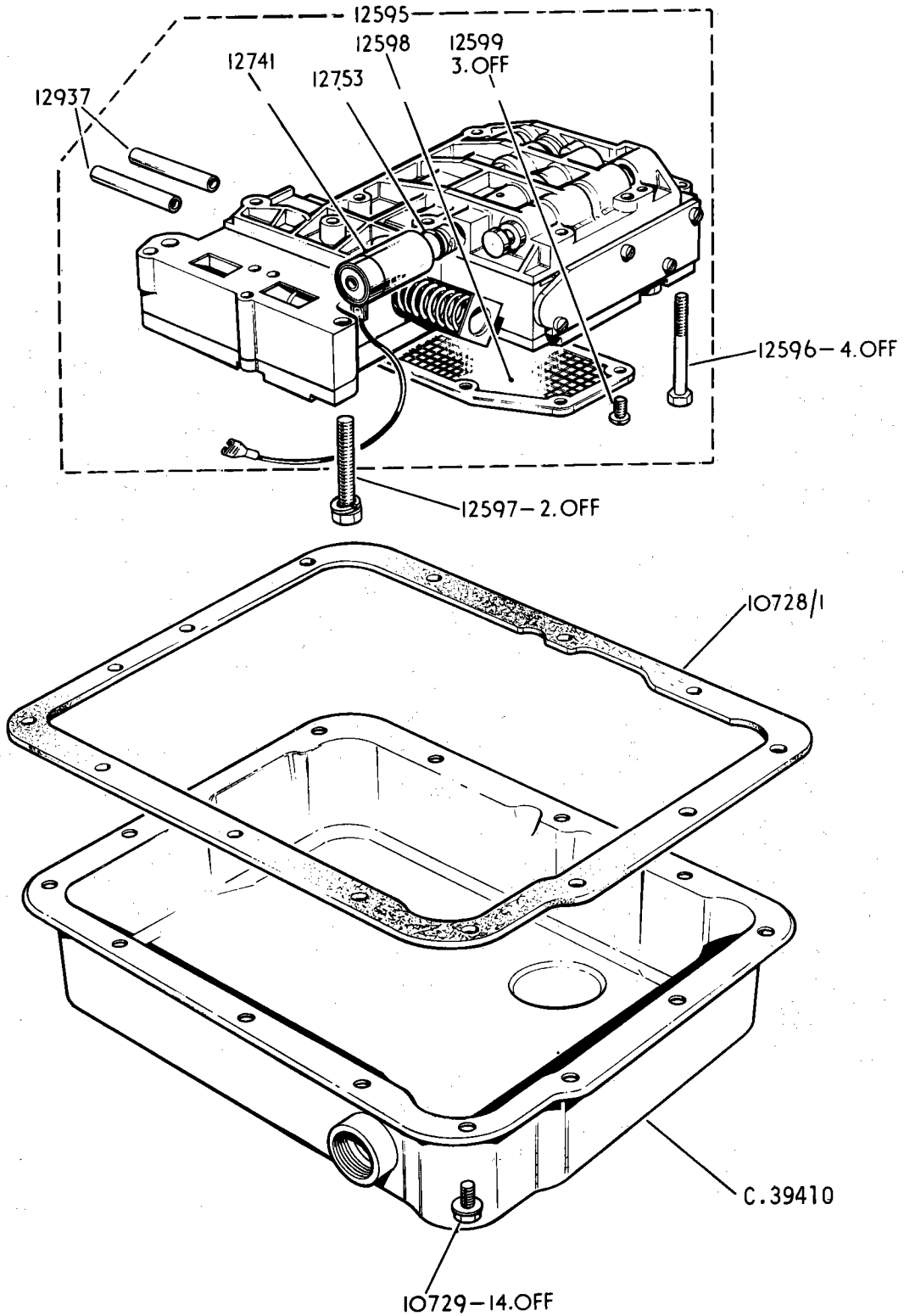


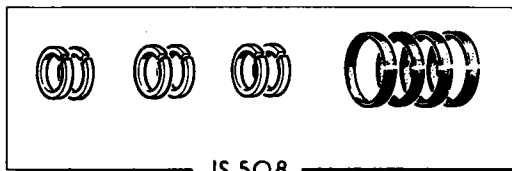
C.32901 7L.16498 →
 NOT 7L.17354 TO 7L.17684



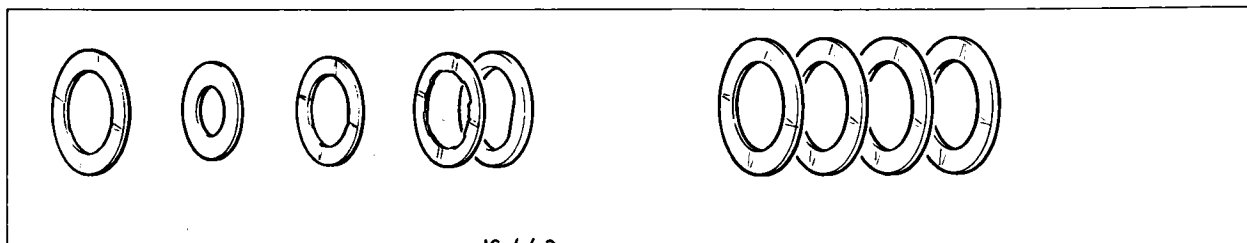
Jaguar XJ6 and Jaguar XJ6L
 ENGINE - automatic gearbox valve body and oil pan (MODEL 12A and 12J)

C.32182 (12A) 7L.8164] → [7L.16497
 ALSO 7L.7925 : 7L.7970 : 7L.7971 } S/D
 C.32901 (12J) 7L.16498 →
 NOT 7L.17354 TO 7L.17684

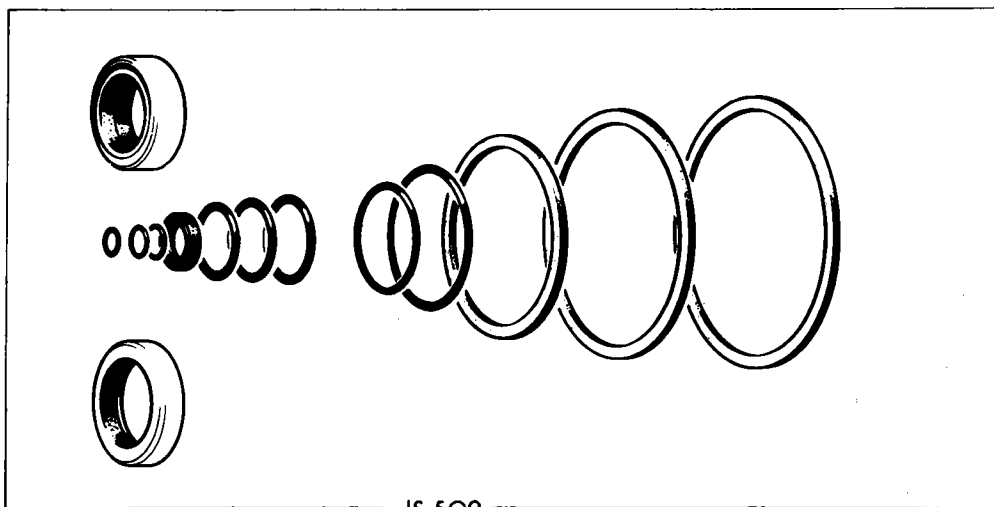




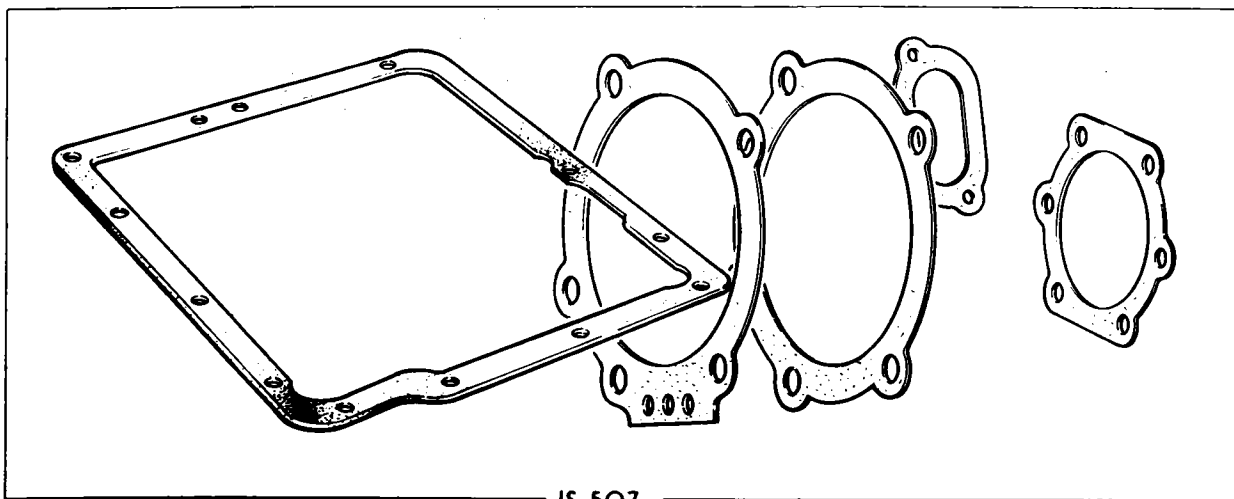
JS.508



JS.662



JS.509



JS.507